

clarion®

**Owner's manual & Installation manual
Mode d'emploi et manuel d'installation
Manul de instrucciones y de instalación**

VRX575USB

**RADIO/DVD MULTIMEDIA CENTER
CENTRE MULTIMÉDIA DVD/RADIO
CENTRO DE MULTIMEDIA DE DVD/RADIO**

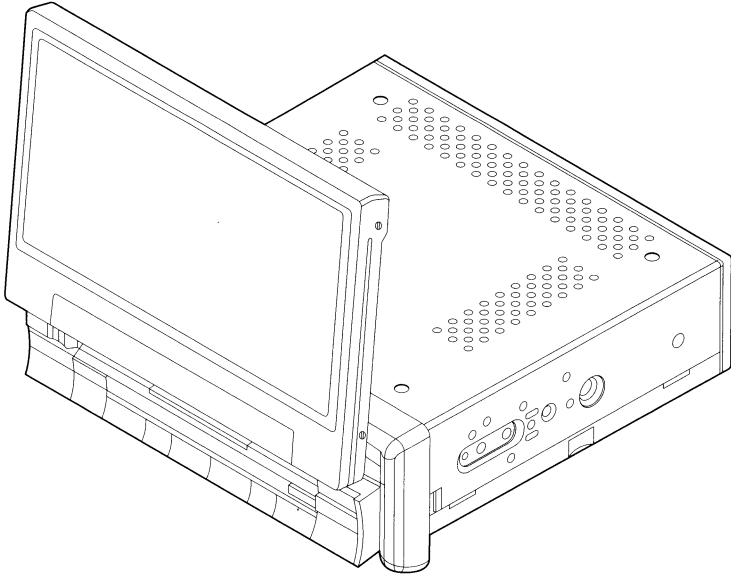
TABLE OF CONTENTS

1.DESCRPTION	05
1-1 Features	05
1-2 Expanding System	06
1-3 Information Guide	07
2.PRECAUTIONS	08
3.CONTROL	12
3-1 Button Functions	12
3-2 Remote Control	13
4.BUTTON AND TOUCH KEY OPERATION	16
4-1 User Guide	16
4-1-1 Power on Mode	16
4-1-2 Tuner Mode	17
4-1-3 DVD Mode	18
4-1-4 Sound Mode	19
4-1-5 Adjust Mode : At Tuner, iPod, USB Mode	21
4-1-6 Adjust Mode : At AUX, DVD Mode	23
5.CAUTIONS	24
5-1 Liquid Crystal Panel/Generalities	24
5-2 Cleaning	24
6.DVD Video System	25
6-1 DVD Video Features	25
6-2 Discs	26
6-2-1 Playable Disc	26
6-2-2 CD Extra Disc	26
6-2-3 CD-R/CD-RW Disc (MP3, WMA)	26
6-2-4 DVD±R/RW Disc	26
6-2-5 Unsupported Disc Format	26
6-2-6 MP3 / WMA Playback	26
6-2-7 DivX Playback	27

6-2-8 Region Number	27
6-3 Registered Trademark	27
7. OPERATIONS	28
7-1 DCP	28
7-2 Basic Operations	28
7-2-1 Power On/Off	28
7-2-2 Mode Selections	29
7-2-3 LCP Operations	29
7-2-4 Audio Operations	30
7-2-5 Adjust Operations	34
7-2-6 2-ZONE Function	38
7-3 Radio	40
7-4 DVD Video Player	42
7-4-1 Size of the Screen	42
7-4-2 Country Code	43
7-4-3 Parental Level	43
7-4-4 Disc Loading	43
7-4-5 Setting the DVD Video	44
7-5 Other Function	47
7-5-1 CDDA	47
7-5-2 MP3 and WMA	47
8. USAGE OF PERIPHERAL DEVICES	50
8-1 Setting iPod	50
8-2 Setting USB	52
9. TROUBLESHOOTING	54
10. SPECIFICATIONS	55
11. INSTALLATION AND WIRE CONNECTION	57
11-1 Cautions on Installation	57
11-2 Main Unit Installation(Universal Mount)	59
11-3 Removing the Main Unit	60
11-4 Main Unit Installation(Fixed Mount)	61
11-5 Cautions on Wiring	62
11-6 Electrical Connection	63

1. DESCRIPTION

* This image is main body with open LCP(Liquid Crystal Panel).



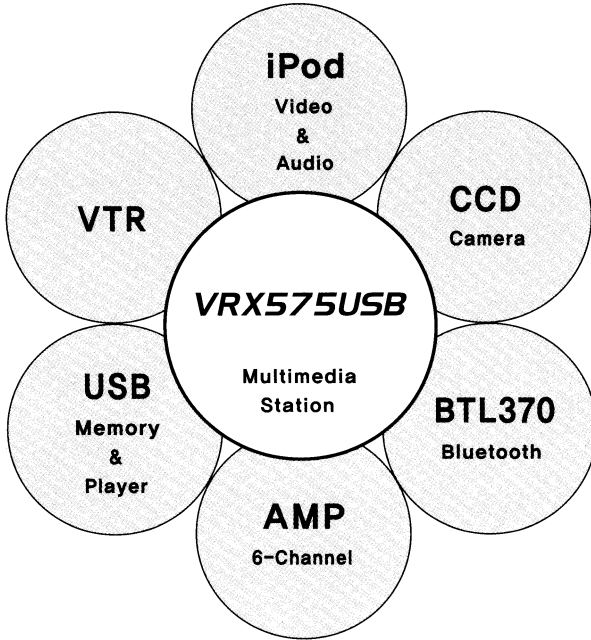
1-1 Features

- Automatic 7" Wide Screen LCD
- Touch Panel Control
- DVD Video / CD / MP3 / WMA / DivX Play Capability
- RCA 6 (+2)-Channel (2-Zone) Output
- Built-in 50 W x 4 Amplifier
- CD-R/CD-RW/DVD \pm R/DVD \pm RW Compatible
- 2-ZONE Control
- USB Memory Playback(MP3/WMA/AAC)
- iPod[®] Control

"iPod" is for legal or rightholder-authorized copying only. Don't steal music. "iPod" is a trademark of Apple Inc.



1-2 Expanding System



1-3 Information Guide

English

■ CLARION PRODUCT REGISTRATION INFORMATION FOR USA and Canada only

www.clarion.com

Dear Customer:

Congratulations on your purchase of a Clarion mobile electronic products. We are confident that you'll enjoy your Clarion experience.

There are many benefits to registering your product. We invite you to visit our website at www.clarion.com to register your Clarion product.

We have made product registration simple with our easy to use website. The registration form is short and easy to complete. Once you're registered, we can keep you informed of important product information.

Register at www.clarion.com – it's easy to keep your Clarion product up to date.

Français

■ INFORMATIONS DE L'ENREGISTREMENT DE PRODUITS CLARION Pour les États Unis et le Canada seulement

www.clarion.com

Cher client:

Nous vous remercions d'avoir acheté ce produit électronique mobile Clarion. Nous sommes confiants que vous apprécierez votre expérience Clarion.

Il y a beaucoup d'avantage à enregistrer votre produits. Nous vous invitons à visiter notre site Web www.clarion.com pour enregistrer votre produit Clarion.

Nous avons facilité la tâche d'enregistrement de produit simple et facile grâce à notre site Web. Le formulaire d'enregistrement est court et facile à compléter. Lorsque vous êtes enregistrer, nous pouvons vous tenir informé des informations important de produits.

Enregistrer à www.clarion.com - c'est facile de mettre à jour votre produit Clarion

Español

■ INFORMACIÓN DEL REGISTRO DE PRODUCTO DE CLARION Para USA y Canada nomas

www.clarion.com

Querido Cliente:

Felicitaciones por su compra de producto electrónico móvil de Clarion. Estamos seguros que usted gozará de su experiencia con el producto de Clarion.

Hay muchas ventajas al registrar su producto. Le invitamos a que visite nuestro sitio en internet www.clarion.com para registrar su producto de Clarion.

Hemos hecho el registro de producto fácil en nuestro sitio. La forma de registro es corta y fácil de completar. Una vez que lo registre, podremos proporcionarle la información de su producto.

Regístrese en www.clarion.com - es fácil mantener su producto de Clarion actualizado.

2. PRECAUTIONS

WARNING

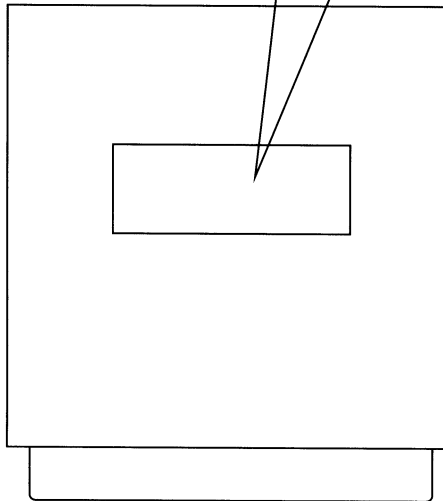
For your safety, the driver should not watch the DVD video/TV/VTR or operate the controls while driving. Please note that watching and operating the DVD video/TV/VTR while driving are prohibited by law in some countries. Also, while driving, keep the volume to a level at which external sounds can be heard.

- ① When the inside of the car is very cold and the player is used soon after switching on the heater, moisture may form on the disc (DVD/CD) or the optical parts of the player and proper playback may not be possible. If moisture forms on the disc (DVD/CD), wipe it off with a soft cloth. If moisture forms on the optical parts of the player, do not use the player for about one hour. The condensation will disappear naturally allowing normal operation.
- ② Driving on extremely bumpy roads which cause severe vibration may cause the sound to skip.
- ③ This unit uses a precision mechanism. Even in the event that trouble arises, never open the case, disassemble the unit, or lubricate the rotating parts.
- ④ This equipment has been tested and found to comply with the limits for a Class B digital device, pursuant to Part 15 of the FCC Rules. These limits are designed to provide reasonable protection against harmful interference in a residential installation. This equipment generates, uses, and can radiate radio frequency energy and, if not installed and used in accordance with the instructions, may cause harmful interference to radio communications. However, there is no guarantee that interference will not occur in a particular installation. If this equipment does cause harmful interference to radio or television reception, which can be determined by turning the equipment off and on, the user is encouraged to consult the dealer or an experienced radio/TV technician for help.

INFORMATION FOR USERS

CHANGES OR MODIFICATIONS TO THIS PRODUCT NOT APPROVED BY THE MANUFACTURE WILL VOID THE WARRANTY AND WILL VIOLATE FCC APPROVAL.

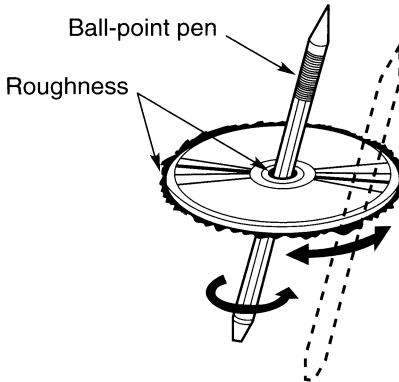
	MODEL	VRX575USB	Clarion
12V⊖GROUND			
AM 530-1710kHz / FM 87.9-107.9MHz			
Apparatus Claims of U.S. Patent Nos. 4,631,603; 4,819,098; 4,907,093; 5,315,448; and 6,516,132. licensed for limited viewing uses only.			
Manufactured under license from Dolby Laboratories. "Dolby", "Pro Logic" and the double-D symbol are trademarks of Dolby Laboratories.			
THIS DEVICE COMPLIES WITH PART 15 OF THE FCC RULES. OPERATION IS SUBJECT TO THE FOLLOWING TWO CONDITIONS: (1) THIS DEVICE MAY NOT CAUSE HARMFUL INTERFERENCE, AND (2) THIS DEVICE MUST ACCEPT ANY INTERFERENCE RECEIVED, INCLUDING INTERFERENCE THAT MAY CAUSE UNDERSIRED OPERATION.			
THIS PRODUCTION COMPLIES WITH DHHS RULES 21 CFR SUBCHAPTER J APPLICABLE AT DATE OF MANUFACTURE.			
CLARION CO., LTD. 50KAMITODA, TODA-SHI, SAITAMA-KEN, JAPAN			
MANUFACTURED: JTC ***** *****			
SERIAL NO. QC-6825B			Clarion Co., Ltd. MADE IN KOREA



Handling Discs

• Handling

- New discs may have some roughness around the edges. If such discs are used, the player may not work or the sound may skip. Use a ball-point pen or the like to remove any roughness from the edge of the disc.



- Never stick labels on the surface of the disc or mark the surface with a pencil or pen.
- Never play a disc with any cellophane tape or other glue on it or with peeling off marks. If you try to play such a disc, you may not be able to get it back out of the DVD player or it may damage the DVD player.
- Do not use discs that have large scratches, are misshapen, cracked, etc. Use of such discs may cause misoperation or damage.
- To remove a disc from its storage case, press down on the centre of the case and lift the disc out, holding it carefully by the edges.
- Do not use commercially available disc protection sheets or discs equipped with stabilizers, etc. These may damage the disc or cause breakdown of the internal mechanism.

• Storage

- Do not expose discs to direct sunlight or any heat source.
- Do not expose discs to excess humidity or dust.
- Do not expose discs to direct heat from heaters.

• Cleaning

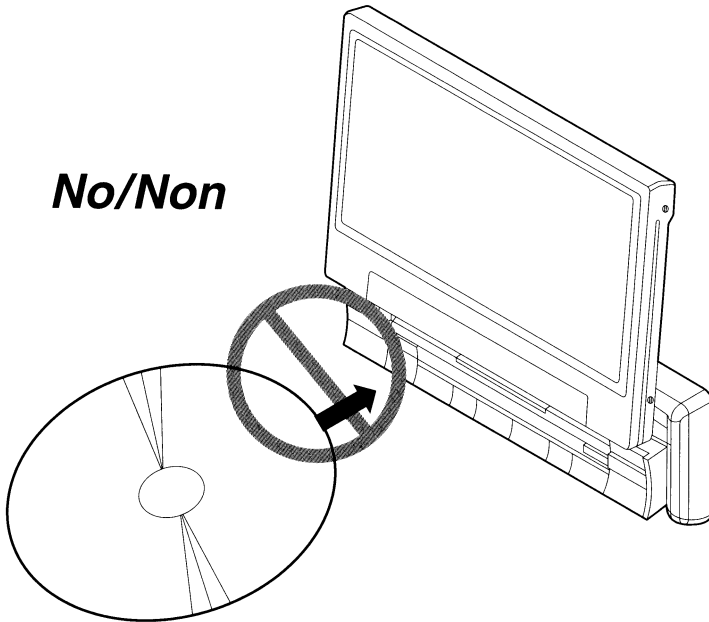
- To remove finger-marks and dust, use a soft cloth and wipe in a straight line from the centre of the disc to the circumference.
- Do not use any solvents, such as commercially available cleaners, anti-static spray, or thinner to clean discs.
- After using special disc cleaner, let the disc dry off well before playing it.

• On Discs

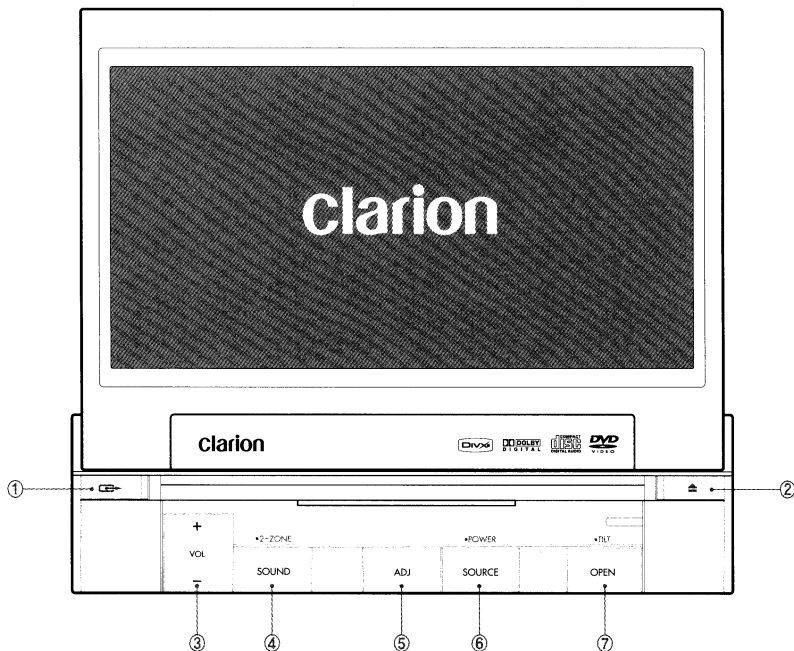
- Exercise a good precaution when loading a disc with the panel open.
- Never turn off the power and remove the unit from the car with a disc loaded.

CAUTION



With the screen open, a driver may not be able to see the disc insertion slot. For your safety, insert a disc with the screen closed. Even when the screen is closed, however, the recessed disc slot may be difficult for a driver to see, care is needed whenever inserting discs.



3. CONTROL



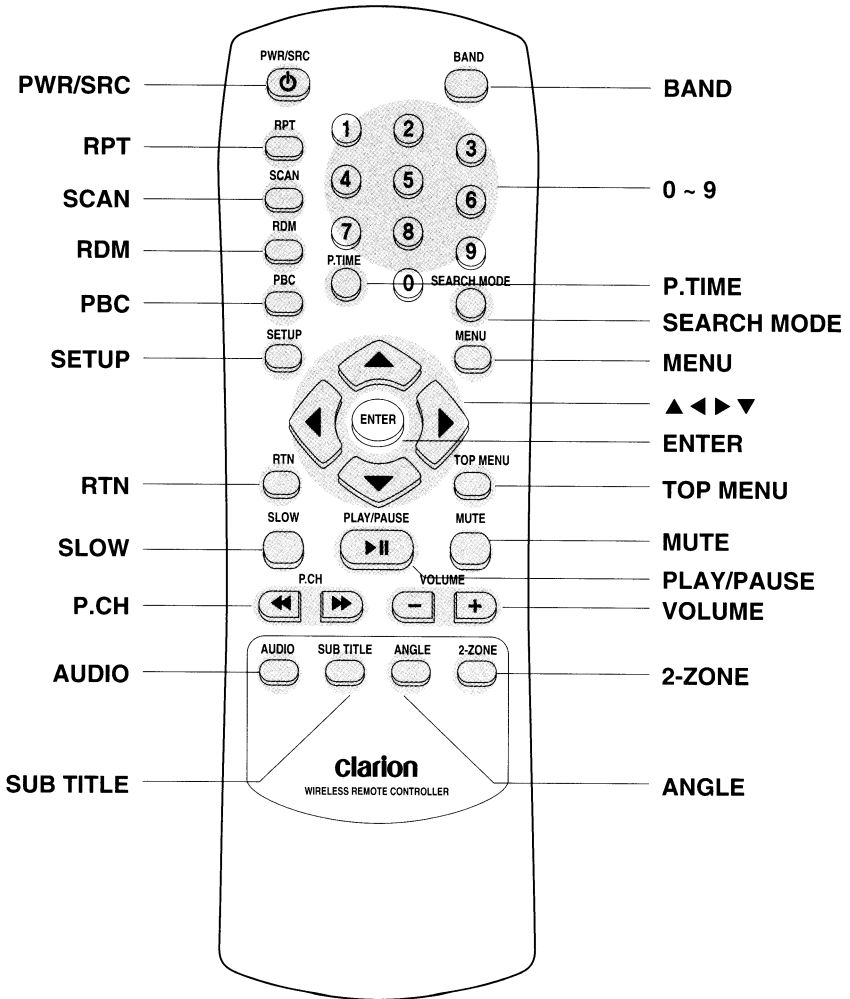
3-1 Button Functions

- ①  : To remove the DCP (Detachable Control Panel)
- ②  : To eject the disc (press this button more than a second if the unit is in middle of turning the power off)
- ③ **[+ VOL -]** : To increase/decrease the volume (in a range from 0min to 33max)
- ④ **[SOUND]** : To enter/exit the SOUND mode
 - **2-ZONE** : To enter the 2-ZONE mode (press the [SOUND] button more than a second)
To exit the 2-ZONE mode (keep pressing this button again)
- ⑤ **ADJ** : To enter/exit the ADJUST mode changing the settings
- ⑥ **[SOURCE]** : To enter/exit the SOURCE mode
To change the operation mode when closing the LCP (such as TUNER mode)
 - **POWER** : To turn on the power (press the [SOURCE] button more than 2 seconds)
To turn off the power (press this button more than 2 seconds)

※ If you press this button more than 2 seconds during turning the power off, the power of the unit will be turned on.
- ⑦ **[OPEN]** : To open/close the LCP
 - **TILT** : To adjust the angle for the LCP, press and hold the [OPEN] button more than a second.
The LCP is moved to forward or backward. (There are 5 adjustable angles available)

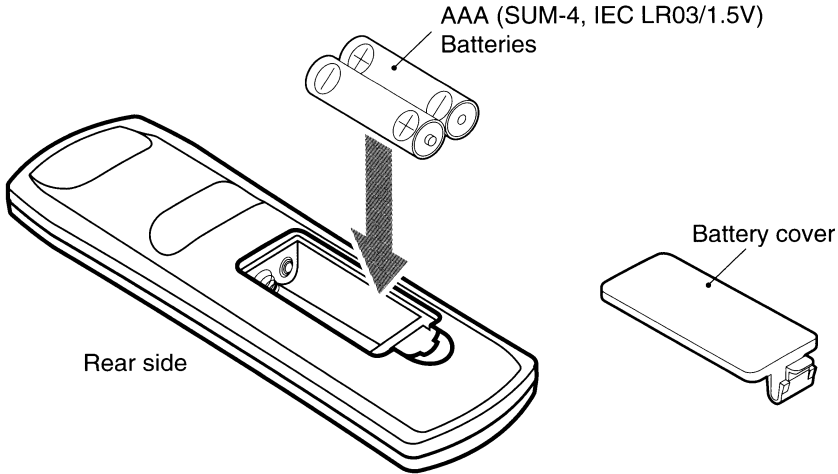
3-2 Remote Control

- Remote Control Unit (38 buttons)



• Inserting the Batteries


- ① Open the rear cover, and remove it and insert the AAA (SUM-4, IEC LR03/1.5V) batteries bundled with the remote control unit in the directions shown in the figure and then, close the rear cover.
- ② Using batteries improperly can cause them to explode. Take note of the following points:
 - When replacing batteries, replace both batteries with new ones
 - Do not short-circuit, disassemble or heat batteries.
 - Do not dispose batteries into fire or flames.
 - Dispose of spent batteries properly.



• Button Functions

You can use the remote control unit to control this unit. The steering wheel remote control operation work on the MAIN zone even when the SUB zone is selected.

- ① **[PWR/SRC]** : To turn on/off the power (press this button more than 2 seconds)
To switch the modes
- ② **[BAND]** : To switch reception band in TUNER mode
- ③ **[RPT]** : To repeat chapter in DVD mode or repeat track in CD/MP3 modes
To perform folder repeat in MP3 mode
- ④ **[SCAN]** : To scan tracks in USB mode
To scan chapters in DVD mode and tracks in CD/MP3 modes
To scan folders in MP3 mode (keep pressing more than a second)
- ⑤ **[RDM]** : To play tracks at random in CD/MP3 modes
To play folders at random in MP3 mode (keep pressing more than a second)
- ⑥ **[PBC]** : To turn on/off PBC function in the Video CD mode
- ⑦ **[0-9]** : To select the preset number in the Preset List screen of the TUNER mode
To input number of key pad screen in DVD mode

- ⑧ **[P.TIME]** : To turn on/off the playtime display in DVD mode
- ⑨ **[SEARCH MODE]** : To switch the search mode (keep pressing more than a second in DVD mode)
- ⑩ **[SETUP]** : To show the DVD SETUP screen while playing DVD
- ⑪ **[MENU]** : To display stored menu in DVD video disc
- ⑫ **[▲][◀][▶][▼]** : To select a menu
To scroll the track/folder list screen in MP3 modes (only ▲▼)
- ⑬ **[ENTER]** : To select track, file, folder or item in all modes
- ⑭ **[RTN]** : To return to the previous screen from the list or menu screens
To switch to the previous screen display while the menu screen is being displayed.
- ⑮ **[TOP MENU]** : To display top menu screen on DVD video disc
- ⑯ **[SLOW]** : To perform slow playback in DVD mode
- ⑰ **[PLAY/PAUSE]** : To play or pause the video / audio media
To stop video playback in DVD video (keep pressing more than a second)
- ⑱ **[MUTE]** : To turn mute on/off
When the mute is turned on,  appears at the top right of the screen.
- ⑲ **[P.CH] (◀◀,▶▶)** : To seek up/down in TUNER mode
To select the next higher or lower chapter number in DVD mode
To perform fast-forward and fast backward (Keep pressing) in DVD/ iPod modes.
To select the next higher or lower track in CD, MP3 modes
To select the next higher or lower track numbers in iPod mode.
- ⑳ **[VOLUME]** : To increase/decrease the volume
- ㉑ **[AUDIO]** : To switch the AUDIO function in DVD/CD modes
- ㉒ **[SUB TITLE]** : To display subtitle in DVD mode
- ㉓ **[ANGLE]** : To switch the ANGLE function in DVD mode
when the ANGLE MARK is displayed (available only on multiple angles DVDs)
- ㉔ **[2-ZONE]** : To turn on/off 2-ZONE function
To switch between main-zone and sub-zone when 2-Zone function is turned on

• When SUB zone is selected

SUB zone operations are supported, but button functions are limited as follows:

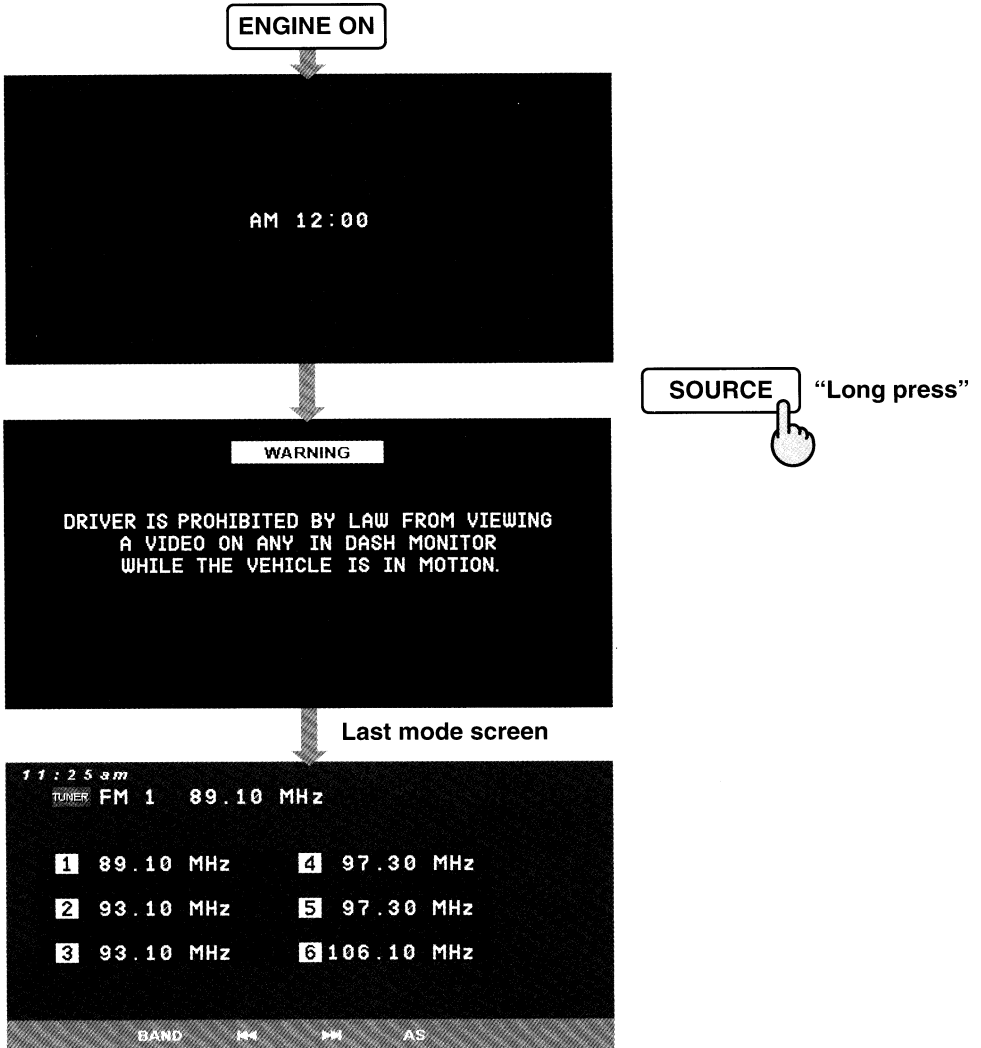
[VOLUME] buttons controls sound volume for MAIN zone source.

[MUTE] button controls audio mute function for MAIN zone source.

4. BUTTON AND TOUCH KEY OPERATION

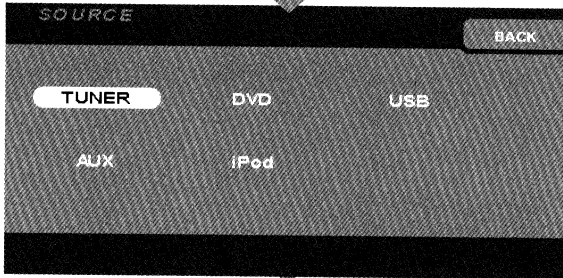
4-1 User Guide

4-1-1 Power ON Mode

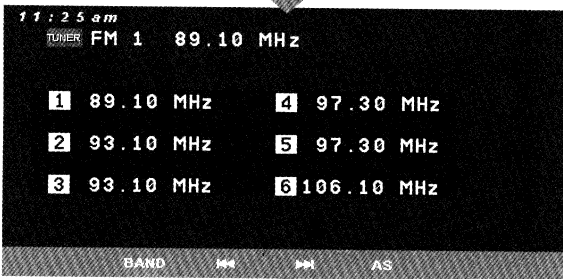


4-1-2 Tuner Mode

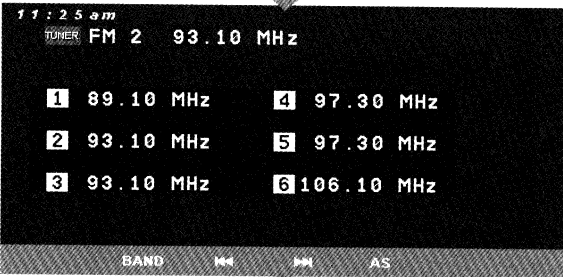
SOURCE



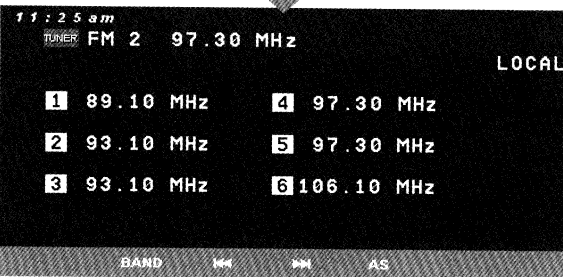
[TUNER]



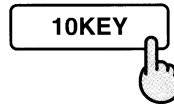
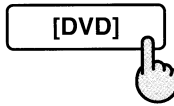
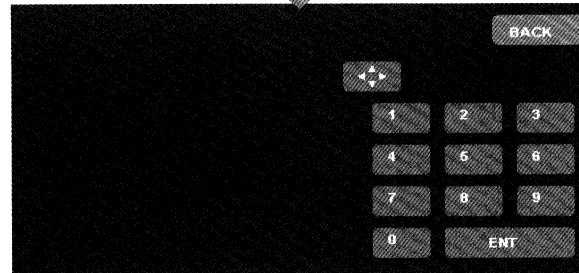
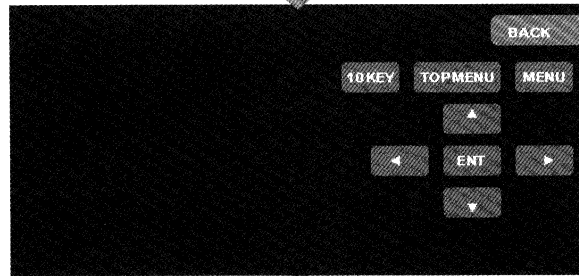
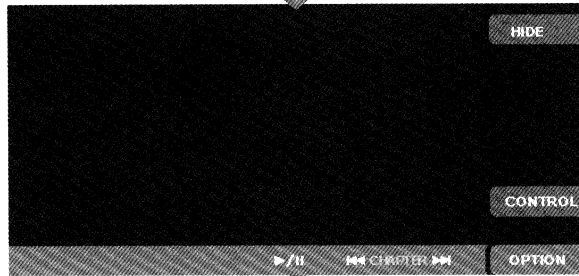
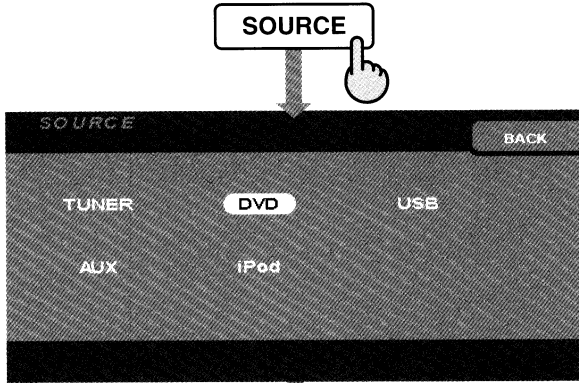
BAND



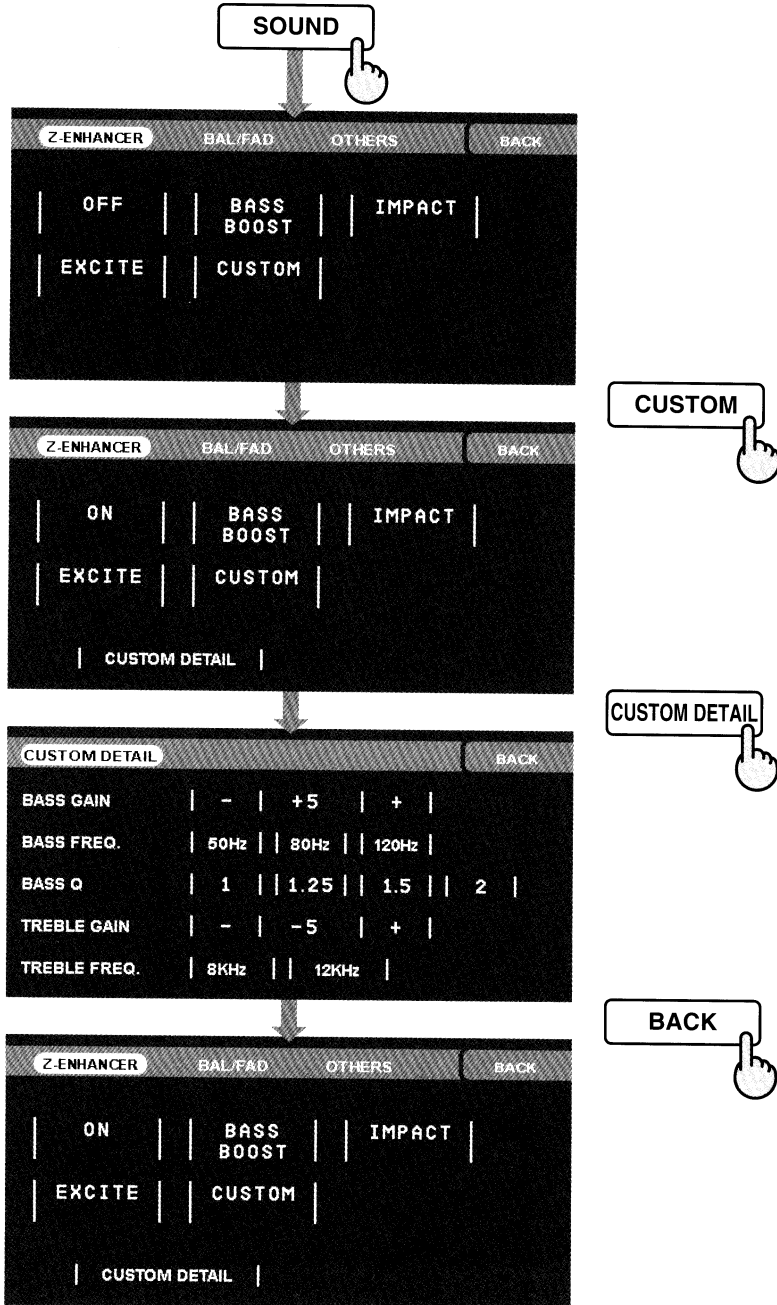
AS

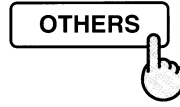
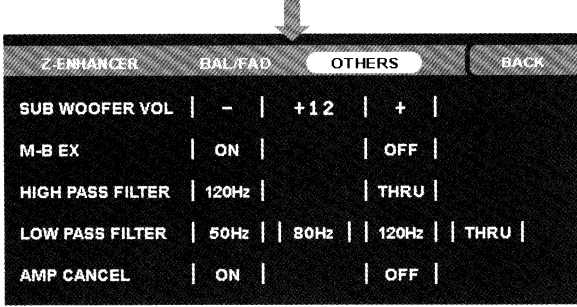
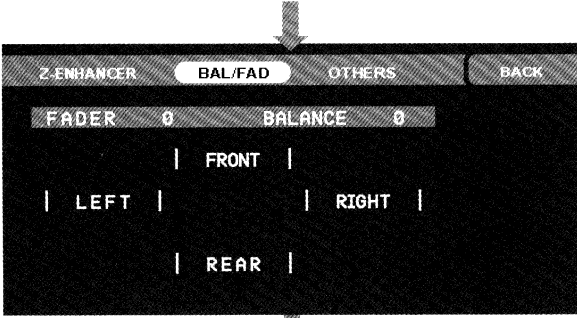


4-1-3 DVD Mode

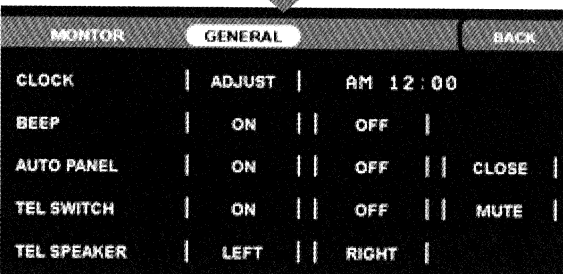
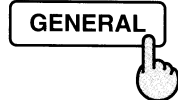
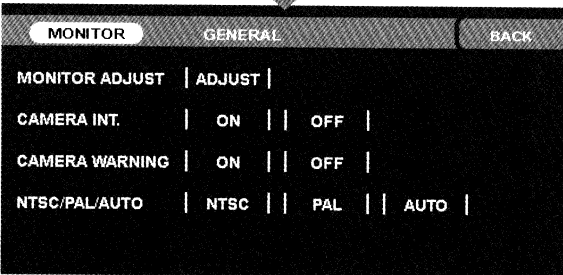
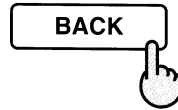
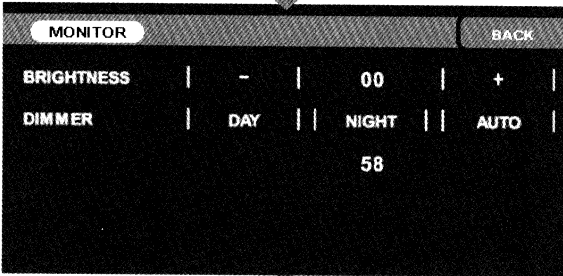
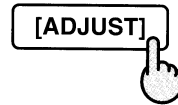
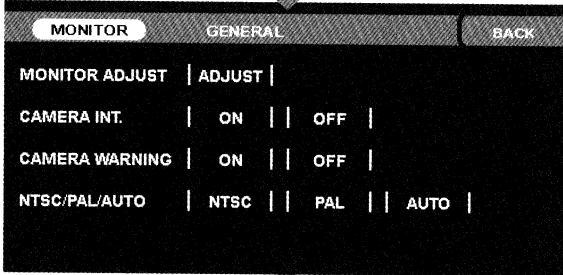
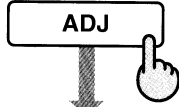


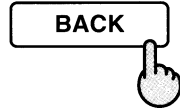
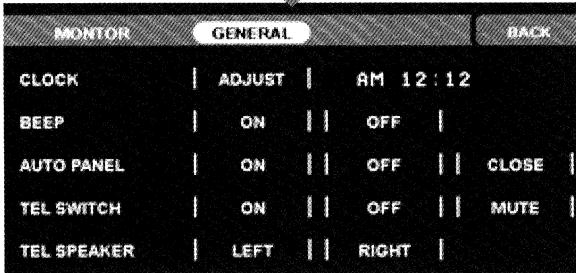
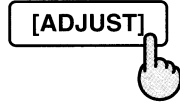
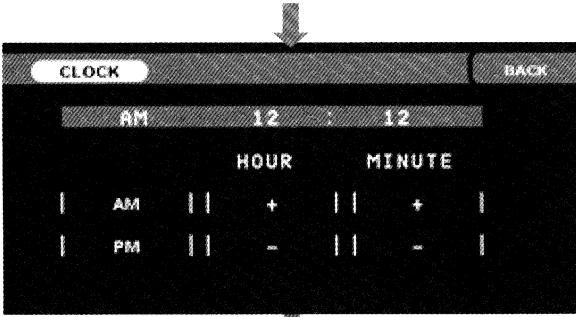
4-1-4 Sound Mode



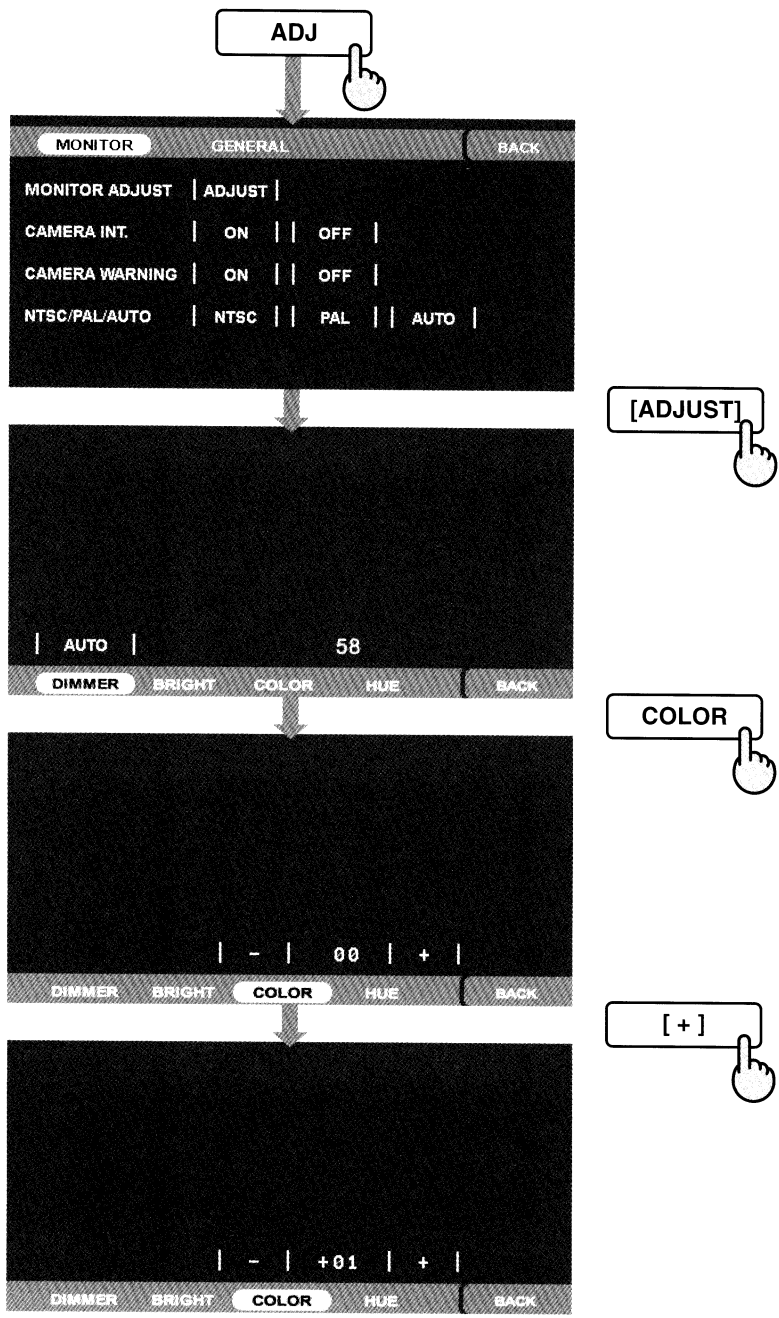


4-1-5 Adjust Mode : At Tuner, iPod, USB Mode





4-1-6 Adjust Mode : At AUX, DVD Mode



5. CAUTIONS

5-1 Liquid Crystal Panel/Generalities

※ For a longer service life, be sure to read the following cautions.

- Be sure to house the liquid crystal panel inside the main unit when parking the car outdoors for long period of time. The liquid crystal panel will operate properly in a temperature range of 0 to 60°C.
- Do not allow any liquids on the set from drinks, umbrellas etc. Doing so may damage the internal circuitry.
- Do not disassemble or modify the set in any way. Doing so may result in damage.
- Do not draw the liquid crystal panel out and use it as a tray. Also, subjecting the liquid crystal panel to shocks may result in breakage, deformation or other damage.
- Do not let cigarettes burn the display. Doing so may damage or deform the cabinet.
- If a problem should occur, have the set inspected at your store of purchase.
- Do not insert objects or poke in the space between the liquid crystal panel and the main unit when the panel is tilted.
- Do not place anything on the display when the panel is tilted.
- The remote control unit may not work if the remote control sensor is exposed to direct sunlight.
- In extremely cold weather, the display movement may slow down and the display may darken, but this is not a malfunction. The display will work normally when the temperature increases.
- Small black and shiny spots inside the liquid crystal panel are normal for LCD products.
- The liquid crystal panel may stop temporarily when it opens or closes, when the engine stops or when it is cold.
- The touch keys on the display operate when slightly touched. Do not press the touch key screen with much force.
- Do not push the case surrounding the touch key panel with much force. This may cause malfunctioning of the touch keys.

5-2 Cleaning

• Cleaning the cabinet

For tough dirt, apply some neutral detergent diluted in water to a soft cloth, wipe off the dirt gently, wipe again with a dry cloth. Do not use benzene, thinner, car cleaner, etc., as these substances may damage the cabinet or cause the paint to peel. Also, leaving rubber or plastic products in contact with the cabinet for long periods of time may cause stains.

• Cleaning the liquid crystal panel

The liquid crystal panel tends to collect dust, so wipe it off occasionally with a soft cloth. The surface is easily scratched, so do not rub it with hard objects.

6. DVD VIDEO SYSTEM

DVD video is a high-quality digital video source that provides crisp and clear images. One 12cm disc contains either one film or four hours of music.

6-1 DVD Video Features

This unit provides the following functions in addition to the high image quality and sound quality of DVD video. The functions described in the section, "Features", for example, the recorded language, subtitles, angles, etc. differ with the DVD video disc. Refer to the instructions provided with the DVD video. Some disc functions may operate differently from described in this manual.

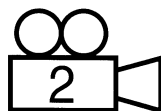
- **Multi-Sound**

DVD video can store up to 8 languages for one film; select the language of your preference. The languages stored on the disc are indicated by the icon shown below.



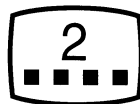
- **Multi-Angle**

A DVD video that is filmed from multiple angles allows you to select the angle of choice. The number of recorded angles is indicated by the icon shown below.



- **Sub-Picture (subtitle)**

A DVD video can record subtitles for up to 32 languages and you can select the language of the subtitles you wish to see. The number of recorded subtitle languages is indicated by the icon shown below.



- **Multi-Story**

When a DVD video contains more than one story for a film, you can select the story you wish to enjoy. The operation procedures vary with the disc; observe the instructions for selecting a story provided during playback.

- **Dolby Digital**

Dolby Digital enables up to 5.1 independent multi-channel audio reproductions, the same type of surround system that is used in cinemas.

- **Menu Screen**

Menus can be called up during DVD video playback to perform menu setting.

To display the menu, touch the key in the following order:

※ SOURCE mode → [DVD] key → [CONTROL] key → [MENU] key

6-2 Discs

6-2-1 Playable Disc

This DVD video player can play the following discs.



6-2-2 CD Extra Disc

A CD Extra disc is a disc in which a total of two sessions have been recorded. The first session is Audio session and the second session is Data session. Your personally-created CDs with more than second data sessions recorded cannot be played on this DVD video player. When you play a CD Extra disc, only the first session will be recognized.

6-2-3 CD-R/CD-RW Disc (MP3, WMA)

This player can play audio CD format (MP3, WMA) on CD-R/CD-RW discs.

6-2-4 DVD \pm R/RW Disc

This player can play MP3/WMA files recorded on DVD \pm R/RW discs.

6-2-5 Unsupported Disc Format

This DVD video player cannot play back DVD Audio, DVD-RAM, Photo CDs, etc. It may also not be possible to play back CDs recorded on a CD-R unit and CD-RW unit. (Cause : disc characteristics, cracks, dust/dirt, dust/dirt on player's lens, etc.) If a CD-R or CD-RW disc that has not been finalized is played, it will take a long time to start playing. Also, it may not be possible to play depending on its recording conditions. You cannot play Super Audio CDs. Playback of the CD player is not supported even if it is a hybrid disc.

6-2-6 MP3/WMA Playback

This unit can play back CD-R/CD-RW, DVD-R/RW and DVD+R/RW discs on which MP3/WMA music data have been recorded.

6-2-7 DivX Playback

This player can play back DivX format file recorded on DVD±R/RW and CD-R/RW discs.

6-2-8 Region Number

The DVD video system assigns a region number to DVD video players and DVD discs by sales area. The DVD video region number is marked on the disc jacket as shown below.



6-3 Registered Trademark


- This product incorporates copyright protection technology that is protected by U.S. patents and other intellectual property rights. Use of this copyright protection technology must be authorized by Macrovision, and is intended for home and other limited viewing uses only unless otherwise authorized by Macrovision. Reverse engineering or disassembly is prohibited.
- Manufactured under licence from Dolby Laboratories. “Dolby”, “Pro Logic”, and the double-D symbol are trademarks of Dolby Laboratories.
- “iPod” is for legal or rightholder-authorized copying only. Don’t steal music. “iPod” is a trademark of Apple Inc.
- Windows Media™, the Windows® logo are trademarks, or registered trademarks of Microsoft Corporation in the United States and/or other countries.
- DivX, DivX Certified, and associated logos are trademarks of DivX Inc and are used under license.

7. OPERATIONS

7-1 DCP

The control panel can be detached to prevent theft. When detaching the control panel, store it in the DCP (Detachable Control Panel) case to prevent scratches. Please take the DCP with you when leaving the car.

• Remove DCP

- ① Press the [SOURCE] button more than 2 seconds to turn off the power.
- ② Press  button and pull the left side of the DCP toward you, and remove it.

• Attach DCP

- ① Hook the right side of the DCP to the right side of the main unit.
- ② Settle the left side of the DCP to the main unit.

• Cautions

- When the Auto Panel function (see AUTO PANEL of chapter I 7-2-5 Adjust Operations I) is set to "OFF" and you turn the power off, be sure to close the LCP for safe before removing the DCP.
- The DCP can easily be damaged by impact. After removing it, be careful not to drop or give impact.
- Remote control unit cannot be used when the DCP is removed.
- If the DCP is dirty, wipe it off by using a soft dry cloth.

7-2 Basic Operations

※ When the unit is turned on, starting and stopping the engine with its volume raised to the maximum level may harm your hearings. Be careful about adjusting the volume.

7-2-1 Power On/Off

- (1) Start the engine before using this unit. Be careful about using this unit for a long time without running the engine. If you drain the car's battery too far, you may not be able to start the engine and this can reduce the service life of the battery.



Engine ON

- (2) Press the [SOURCE] button more than 2 seconds. When the LCP is not open, press the [OPEN] button. The unit automatically memorizes its last operation mode and will automatically switch to display that mode.

7-2-2 Mode Selections

(1) When the LCP is open

- ① Press the [SOURCE] button to enter in the SOURCE mode.
- ② Touch the desirable key.

(2) When the LCP is closed

- ① Press the [SOURCE] button to change operation mode.
- ② Each time you press the [SOURCE] button, the operation mode changes in the following order:

TUNER mode ▶ DVD/CD Play mode ▶ USB mode or iPod mode ▶ AUX mode

- ③ When 2-ZONE function is ON, the [SOURCE] button operates only for the MAIN zone.
To switch to a SUB zone source, specify from the Source menu screen, or use the remote control unit.

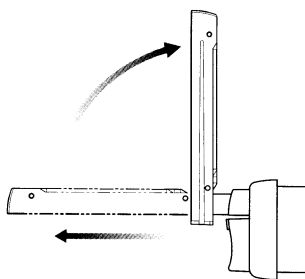
7-2-3 LCP Operations

(1) Cautions

To prevent the battery from going dead, operate this unit with the engine running if possible. When the liquid crystal panel is operating, be careful not to get your hand or finger caught between the panel and main unit or the instrument panel of the car. Do not move the liquid crystal panel by hand.

(2) Standing up the LCP

- ① Press the [OPEN] button. The LCP comes out and stands up automatically. The power of this unit will be turned on.
- ② Press the [OPEN] button more than a second to house LCP and press the button again to raise it, if the LCP stops in the middle of its operation. The unit will enter the same display mode as the display was in when last turned off.

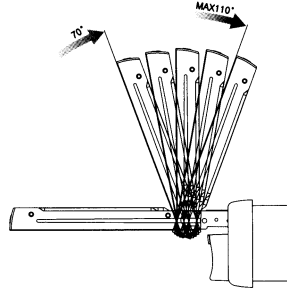


(3) Adjusting the angle of the LCP

- ① Every touching the [OPEN] key more than a second tilts LCP forward or backward. The angle is changed the following order:

110°(Default angle) → 100° → 90° → 80° → 70° → 80° → 90° → 100° → 110° → ...

- ② If the LCP stops in error during the adjustment of the angle and you touch the [OPEN] key more than a second, the LCP operates With opposition direction. The adjusted angle is stored in memory. There are 5 adjustable angles available within the range 70° to 110°.



(4) Housing the LCP

Press the [OPEN] button and the LCP is automatically housed. If you do not use the unit for a long time or leave the car, please house the LCP.

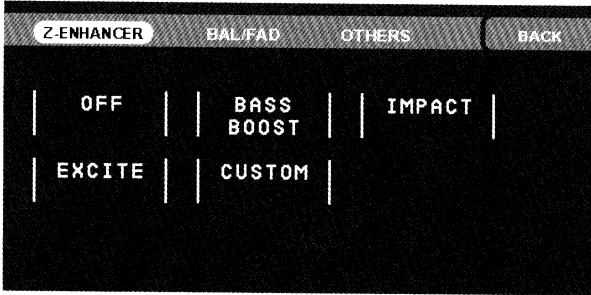
- ※ Open or Close function might not be working properly if ACC is off while opening or closing LCP or LCP is moved by manually.

7-2-4 Audio Operations

SOUND	Z-ENHANCER	Z-ENHANCER BASS BOOST IMPACT EXCITE	
		CUSTOM DETAIL	BASS GAIN BASS FREQ BASS Q TREBLE GAIN TREBLE FREQ
	BAL/FAD		
	OTHERS	SUB WOOFER VOL M-B EX HIGH PASS FILTER LOW PASS FILTER AMP CANCEL	

(1) Adjusting the Z-ENHANCER

- ① Press the [SOUND] button. (This button performs only when the panel is open.)
- ② Touch the desirable item key(Z-ENHANCER, BAL/FAD, OTHERS).
- ③ Perform the adjustment explaining in the following sections.
- ④ Touch the [BACK] key to return to the previous screen.



ITEM	DEFAULT SETTING	RANGE
Z-ENHANCER	OFF	ON or OFF
BASS BOOST	0	-3 ~ +3
IMPACT	0	-3 ~ +3
EXCITE	0	-3 ~ +3

- BASS BOOST, IMPACT, EXCITE Setting

: Select favorite setting mode from these presets and touch respective the [-] or [+] keys to adjust the level.

“BASS BOOST” emphasizes low sound.

“IMPACT” weakens intermediate sound and emphasizes both low sound and high sound.

“EXCITE” weakens intermediate sound and emphasizes both low sound and high sound.

- ※ BASS BOOST - detail adjustments

SET	BASS	TREBLE
+3	F = 80Hz, G=+12dB, Q=1	F=12KHz, G= 4dB
+2	F = 80Hz, G=+10dB, Q=1	F=12KHz, G= 4dB
+1	F = 80Hz, G=+ 8dB, Q=1	F=12KHz, G= 4dB
0	F = 80Hz, G=+ 6dB, Q=1	F=12KHz, G= 4dB
-1	F = 80Hz, G=+ 4dB, Q=1	F=12KHz, G= 4dB
-2	F = 80Hz, G=+ 2dB, Q=1	F=12KHz, G= 4dB
-3	F = 80Hz, G=+ 0dB, Q=1	F=12KHz, G= 4dB

※ IMPACT - detail adjustments

SET	BASS	TREBLE
+3	F = 80Hz, G=+10dB, Q=1	F=8KHz, G= +6dB
+2	F = 80Hz, G=+ 8dB, Q=1	F=8KHz, G= +6dB
+1	F = 80Hz, G=+ 8dB, Q=1	F=8KHz, G= +4dB
0	F = 80Hz, G=+ 6dB, Q=1	F=8KHz, G= +4dB
-1	F = 80Hz, G=+ 6dB, Q=1	F=8KHz, G= +2dB
-2	F = 80Hz, G=+ 4dB, Q=1	F=8KHz, G= +2dB
-3	F = 80Hz, G=+ 4dB, Q=1	F=8KHz, G= 0dB

※ EXCITE - detail adjustments

SET	BASS	TREBLE
+3	F = 50Hz, G=+ 10dB, Q=1	F=12KHz, G= +8dB
+2	F = 50Hz, G=+ 8dB, Q=1	F=12KHz, G= +8dB
+1	F = 50Hz, G=+ 8dB, Q=1	F=12KHz, G= +6dB
0	F = 50Hz, G=+ 6dB, Q=1	F=12KHz, G= +6dB
-1	F = 50Hz, G=+ 6dB, Q=1	F=12KHz, G= +4dB
-2	F = 50Hz, G=+ 4dB, Q=1	F=12KHz, G= +4dB
-3	F = 50Hz, G=+ 4dB, Q=1	F=12KHz, G= +2dB

• Custom Setting

: Touch the [CUSTOM] key and then touch the [CUSTOM DETAIL] key.

BASS controls low sound, TREBLE controls high sound.

CUSTOM DETAIL	DEFAULT SETTING	RANGE
BASS GAIN	0	-6 ~ +8
BASS FREQ	50Hz	50Hz or 80Hz or 120Hz
BASS Q	1	1 or 1.25 or 1.5 or 2
TREBLE GAIN	0	-6 ~ +6
TREBLE FREQ	12KHz	8KHz or 12KHz

(2) Adjusting the BAL/FAD

- Touch the [BAL/FAD] key.
- Touch the [FRONT] [LEFT] [RIGHT] [REAR] keys to control balance & fader.
They control a location adjustment of the sound. Their default settings are "CENTER".

ITEM	SETUP	KEY	RANGE	FUNCTION
FADER		[FRONT]	0 ~ 12	Emphasize front speaker sound
		[REAR]	0 ~ 12	Emphasize rear speaker sound
BALANCE		[LEFT]	0 ~ 13	Emphasize left speaker sound
		[RIGHT]	0 ~ 13	Emphasize right speaker sound

(3) Adjusting the OTHERS

- Touch the [OTHERS] key
- Touch the value at right side to adjust the desirable function.
- "SUB WOOFER VOL" controls the volume level of the subwoofer.
- "M-BX ON" boosts low sound of below 50Hz.
- "HPF" controls the Output of POWER-AMP.
- "LPF" controls the Output of SUB-WOOFER.
- "AMP CANCEL" controls the using presence of built-in AMP.
If you use the external AMP, Built-in AMP is recommended to be turned off.

OTHERS	DEFAULT SETTING	RANGE
SUB WOOFER VOL	0	-6 ~ +6
M-B EX	OFF	ON or OFF
HIGH PASS FILTER	THROUGH	120Hz or THROUGH
LOW PASS FILTER	50Hz	50Hz or 80Hz or 120Hz or THROUGH
AMP CANCEL	OFF	ON or OFF

7-2-5 Adjust Operations

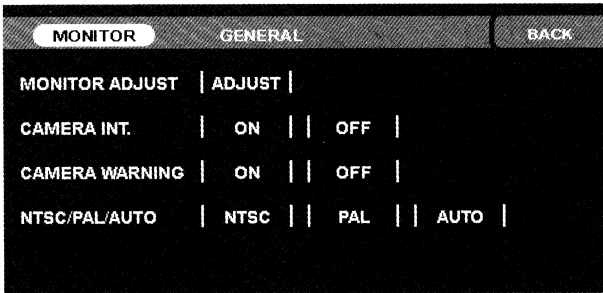
※ item table

ADJ	MONITOR	ADJUST	BRIGHT COLOR HUE DIMMER
		CAMERA INT. CAMERA WARNING NTSC/PAL/AUTO	
	GENERAL	CLOCK BEEP AUTO PANEL TEL SWITCH TEL SPEAKER	

(1) Adjusting the MONITOR : At Tuner, iPod, USB Mode

(1-1) Default Screen

- ① Press the [ADJ] button.
- ② Perform the adjustment.
- ③ Touch the [BACK] key to return to the previous screen.



(1-2) MONITOR ADJUST

(1-2-1) Brightness

- Touch the [ADJUST] key to adjust brightness for display image.
- Touch the [-] key and screen becomes dark
- Touch the [+] key and screen becomes bright

(1-2-2) Dimmer

- Touch the [ADJSUT] key to adjust the brightness of LCP when the car lights are on/off.
[DAY] : Brightness of LCP is always set to maximum level.
[NIGHT] : Brightness of LCP is always set to user setting level in adjust mode.

[AUTO] : According to the status of the car light, brightness of LCP is changed.

(When the car light is off : Day color, when the car light is on : Night color, Only "NIGHT" setting can control the dimmer level by touching the [-] or [+] key.)

(1-3) CAMERA INT.

- Touch the [ON] key to turn rear camera on when reverse line is activated.
- Touch the [OFF] key to ignore reverse line not to be interrupted by camera.

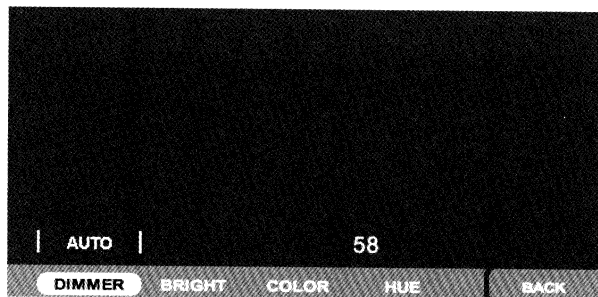
(1-4) CAMERA WARNING

- When you are using CCD camera, touch the [ON] key if you want to see the warning message or touch the [OFF] key if you do not want to.

(1-5) NTSC/PALL/AUTO

- To set the VTR system for AUX video input. When selecting AUTO mode, monitor will automatically be selected the video system according to input video signal.

(2) Adjusting the MONITOR : At AUX, DVD Mode



(2-1) Brightness

- Touch the [ADJUST] key to adjust brightness for display image.
- Touch the [-] key and screen becomes dark
- Touch the [+] key and screen becomes bright

(2-2) Dimmer

- Touch the [ADJUST] key to adjust the brightness of LCP when the car lights are on/off.

[DAY] : Brightness of LCP is always set to maximum level.

[NIGHT] : Brightness of LCP is always set to user setting level in adjust mode.

[AUTO] : According to the status of the car light, brightness of LCP is changed.

(When the car light is off : DAY color, when the car light is on : NIGHT color)

Only "NIGHT" setting can control the dimmer level by touching the [-] or [+] key.

(2-3) Color

- To adjust the color depth.
- If you touch the [-] key, the color depth will decrease.
- If you touch the [+] key, the color depth will increase.

(2-4) Hue

- If you touch the [R] key, red is emphasized.
- If you touch the [G] key, green is emphasized.
- Only NTSC, it can setup.

(3) Adjusting the GENERAL**(3-1) Default Screen**

- Press the [ADJ] button, then touch the [GENERAL] key.
- Perform the adjustment.
- Touch the [BACK] key to return to the previous screen.

MONITOR	GENERAL		BACK
CLOCK	ADJUST	AM 12:12	
BEEP	ON	OFF	
AUTO PANEL	ON	OFF	CLOSE
TEL SWITCH	ON	OFF	MUTE
TEL SPEAKER	LEFT	RIGHT	

GENERAL	DEFAULT SETTING	RANGE
BEEP	ON	ON or OFF
AUTO PANEL	ON	ON or OFF or CLOSE
TEL SWITCH	OFF	ON or OFF or MUTE
TEL SPEAKER	RIGHT	LEFT or RIGHT

(3-2) CLOCK

- Touch the [ADJUST] key to set up the time.
- Touch the [AM] or [PM] key.
- Touch the [-] or [+] key to change the time.

(3-3) BEEP

- When pressing Button or Key, Beep Sounds
- To turn on/off Beep, touch the [ON] or [OFF] key.
- In spite of "OFF" setting, the Warning sound comes out.
- When memorizing, Beep sounds longer.

(3-4) AUTO PANEL

- ON : The LCP closes automatically after removing the DCP. The LCP opens automatically after attaching the DCP. (Automatic OPEN/CLOSE of the LCP)
- OFF : Regardless of the removal or attaching of DCP, the LCP is worked by the settings of the user. (Passive OPEN/CLOSE of the LCP)
- CLOSE : Set up the LCP automatically only after removing the DCP. (Automatic CLOSE of the LCP)

(3-5) TEL SWITCH

- To set up the mobile phone interruption
- When you connect your mobile phone to this unit using a separately sold cable, you can listen to your telephone calls on your car speakers.
- ON : To listen to your telephone calls from the speakers connected to this unit (When listening to your car speakers, you can adjust the volume level.)
- OFF : To continue normal operation even when you use the telephone calls (When you set this function to "OFF", disconnect the mobile phone from the cable or turn off the power of the mobile phone.)
- MUTE : To mute the sound during your telephone (This function is not compatible with all mobile telephones. Contact your local authorized Clarion dealer for information on proper installation and compatibility.)

(3-6) TEL SPEAKER

- To change the output speaker for the mobile phone when TEL SWITCH is "ON"
- During the mobile phone interrupts, setting this function is disabled.
- [LEFT] : To hear your telephone calls from the left speaker connected to this unit
- [RIGHT] : To hear your telephone calls from the right speaker connected to this unit

7-2-6 2-ZONE Function

(1) Description

The 2-ZONE function is a function that outputs separate sounds/images from the MAIN zone and SUB zone (such as the rear monitor) by simultaneously operating two sources in the one centre unit. Thereby, plural listeners are allowed to enjoy separate audio/visual sources. The 2-ZONE function allows internal sources (TUNER, DVD, iPod) and external sources (AUX, etc.) to be played on MAIN zone and SUB zone. Controlling sources of MAIN zone and SUB zone can be made from the main unit and from the remote control unit. The source sounds of the MAIN zone are played back from the speakers of the vehicle side, and those of the SUB zone are from the wireless headphone. Sound volume control on the SUB zone is performed by the wireless headphone.

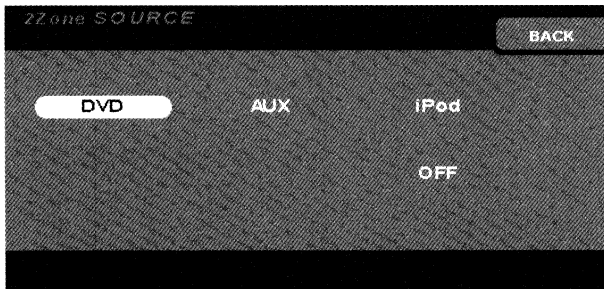
When you run the products for the first time, 2-ZONE function is set to the OFF, both of the main-zone and sub-zone are set to the main source. If you press the [SOUND] button more than a second, it will turn into the 2-ZONE source screen.

2-ZONE mode : OFF, DVD(CD), AUX, iPod

- The TUNER mode cannot be specified for the SUB zone.
- The steering wheel remote control operations work upon the MAIN zone even when the SUB zone is selected.
- If a mobile phone interrupt arises when an external equipment is specified for the SUB zone, the 2-ZONE function is automatically turned off, and it does not resume to the 2-ZONE ON status even when the interruption is finished.
- You cannot switch the MAIN and SUB zone when the front monitor locked screen or CCD camera screen is displayed.
- The ON/OFF of the 2-ZONE keeps up regardless of the OFF/ON of the engine and power.

(2) Display

- To display the 2-ZONE mode screen, press the [SOUND] button more than a second.



- ※ To select a source which you want

(3) Specification of conversion

- When the 2-ZONE function turns on, the source of the main-zone and the sub-zone is made up by the mixture besides of the external source.
- The source conversion of the main-zone is available when the 2-ZONE setting mode sets up to the main-zone.
- The source conversion of the sub-zone is available when the 2-ZONE setting mode sets up to the main-zone.
- The source conversion of the main-zone and sub-zone is like below.

MAIN \ SUB	※3 DVD	VISUAL(AUX)	※2 IPOD (Video)	RADIO	USB
RADIO	※1 Y	※1 Y	※1 Y	N	N
DVD	Y	Y	Y	N	N
VISUAL(AUX)	Y	Y	N	N	N
IPOD	Y	Y	Y	N	N
USB	Y	Y	Y	N	N

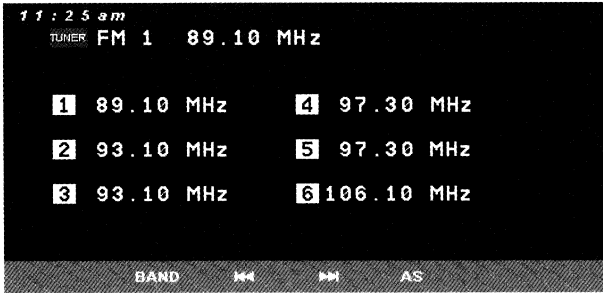
NOTE

- ※1 : Receiving condition of some stations may be altered in 2-ZONE mode.
- ※2 : To select the video mode of iPod when you watch in sub-zone.
- ※3 : DVD operation can be done only in the main-zone.

7-3 Radio

(1) Listening to the radio

- ① Press the [SOURCE] button and touch the [TUNER] key. The TUNER mode screen is displayed.



- ② Press the [BAND] button on the remote control unit, or touch the [BAND] key to select the radio band. Each time the key is touched, the radio reception band changes in the following order:

FM1 ► FM2 ► FM3 ► AM1 ► AM2 ► FM1 ...

The default setting is "FM1".

- ③ Touch the [◀◀] or [▶▶] key to seek up or seek down.

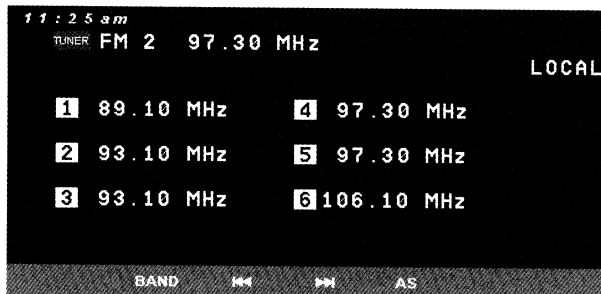
If you keep touching the [◀◀] key, manual tuning will be done in the direction of lower frequencies.
If you keep touching the [▶▶] key, manual tuning will be done in the direction of higher frequencies.

④ FREQUENCY MAP

AREA	BAND	RECEIVING BAND(Hz)	STEP SEEK(KHz)	STEP MANU(KHz)	IF(Hz)
U.S.A	FM1,2,3 AM1,2	87.9~107.9M 530~1710 K	200 10	200 10	10.7M 450K

(2) Auto store

- ① The Auto Store is a function for storing up to 6 stations that are automatically tuned in sequentially. If 6 receivable stations cannot be received, a previously stored station remains at the memory position.
- ② Touch and hold the [AS] key more than 2 seconds. A beep sounds and the stations with good reception are stored automatically to the preset channels.



(3) Memorizing the preset

- By touching preset number, preferred preset memories stations between 1 ~ 6 can be selected.
- To memorized preferred station, keep touching preset number until beep sound (for more than 3 seconds).

※ The display of preset memoried channel will be the same indication as receiving.

7-4 DVD Video Player

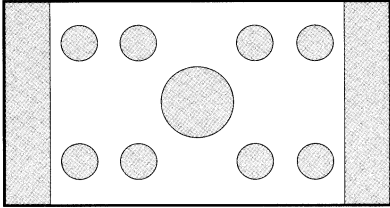
7-4-1 Size of the Screen

To change the screen size, touch the [OPTION] key, then touch the [SCREEN] key on the DVD mode screen.

The [FULL], [NORMAL], [CINEMA] key is displayed on the screen.

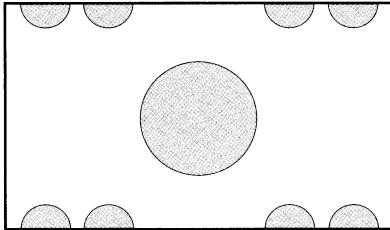
(1) Normal mode

Touch the [NORMAL] key to change the screen. There is a black zone at both left and right ends of the screen.



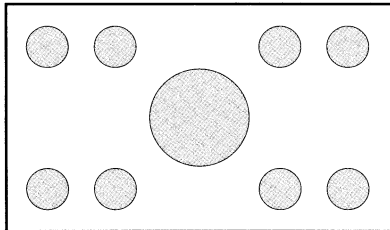
(2) Cinema mode

Touch the [CINEMA] key to change the screen. The top and bottom areas of the screen are cut off.



(3) Full wide mode

Touch the [FULL] key to change the screen. The whole image elongates horizontally.



7-4-2 Country Code

COUNTRY	INPUT CODE
CANADA	6765
UNITED STATES	8583
AMERICAN SAMOA	6583
BERMUDA	6677
PUERTO RICO	8082
ST. PIERRE AND MIQUELON	8077
VIRGIN ISLANDS(U.S)	8673

7-4-3 Parental Level

You can change the level of parental lock. This function allows cutting scenes that are unfavorable for children or replacing them automatically with other scenes prepared in advance. For example, by replacing scenes of radical violence or portrayals of sex with safe scenes, you can make a trouble-free story as if it were so from the beginning.

LEVEL7	No Children, 17 or older
LEVEL6	Under 17 Requires Accompanying Parent or Adult Guardian
LEVEL4	Parents Strongly Cautioned
LEVEL3	Parental Guidance Suggested
LEVEL1	General Audiences

※ The standard differs to the countries.

Initial password is '0000'. You have to set a new password except '0000', before you change the level of parental lock.

7-4-4 Disc Loading

Insert the disc in the middle of the insert slot in view of the label. Disc is played automatically after loading.

Do not put the other things besides the disc into the disc insert slot. If you find out the inserting the disc is not easy, it has the possibility of having other disc inside of the slot or having problem to the product. You are not to use the 8cm disc.

※ The driver is not able to see the disc insert slot. Insert the disc when the LCP is closed for your safety.

(1) Watching the inserted disc


- Touch the [DVD] key on the SOURCE mode screen. The playback starts automatically.

⚠ WARNING

Some videos can be played higher volume level than you wished. Turn it up a little at a time after playing the video.

For the safety, drivers can not watch the video or use the remote control while they are driving. Watching video and controlling it is illegal in some countries, so your caution is needed.

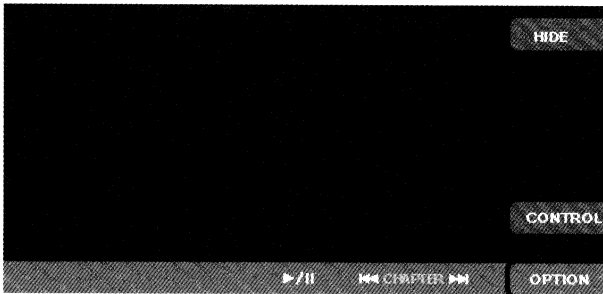
(2) Ejecting the disc

- If you press the  button, the disc will come out.
- If you do not pull out the disc within 10 seconds after pressing the button, the disc will go inside automatically. (Auto reloads)
Disc can be damaged if you insert it by force before auto reloading.

7-4-5 Setting the DVD Video

(1) Way of watching video

Playing mode is revitalized automatically after the disc loading, or touch the [DVD] key in SOURCE mode to enter the DVD mode. Then, the following screen is displayed when you touch the display.



(2) Playing function

- Touch the [▶/||] key or the [▶||] button to play/pause the playback
 - Touch the [▶/||] key or the [▶||] button to resume the playback when in resume stop mode.
 - Touch and hold the [▶/||] key or the [▶||] button more than a second to resume stop.
 - Touch and hold the [▶/||] key or the [▶||] button more than a second in resume stop mode to stop DVD.

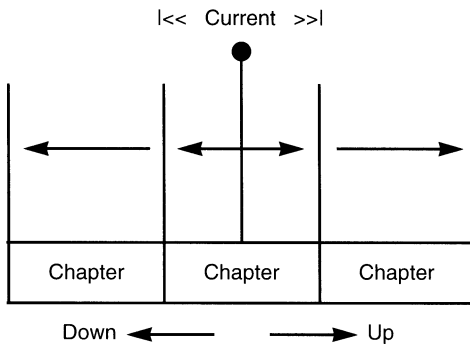
- To operate menu items of the DVD menu, touch the [CONTROL] key, then touch the [MENU] key. Use the "Cross-Key Pad" (◀▶▲▼ENT) according to the disc contents menu.
- Touch the [CONTROL] key, then touch the [10KEY] key. The "Ten-Key Pad" screen is displayed. Input the chapter number that you want to play back with [0] to [9] key. Touch the [ENT] key to enter the desirable track. Touch the [BACK] key to display the previous screen.
- If you want to change the title, press the [SEARCH MODE] button on remote control unit to display the search mode. Then, press the desirable title number by using the [0] - [9] button and press the [ENTER] button.

(3) Repeat and random playback

- Touch the [OPTION] key to use the following operation
- CHAPTER REPEAT
: Chapter repeat playback.
- TITLE REPEAT
: Title repeat playback.
- TITLE RANDOM
: Title random playback.

(4) Chapter skipping

- Touching the [▶▶|] key starts playback from the beginning of the next track.
- Touching the [|◀◀] key starts playback from the beginning of the current track. When the button is pressed again within about 2 seconds, playback starts from the beginning of the previous track.
- In the case of some discs furnished with PBC function, when PBC is set to "ON", this operation will cause the menu screen to be displayed.



(5) DVD SETUP

MODE	ITEM	
DVD SET UP	Lang	OSD Lang
		Sub Title
		Audio
		Disc
		Version
	Display	TV Display
		TV TYPE
		Angle Mark
		Screen Saver
	Audio	Down Mix
		Dual Mono
		Dynamic
	Parental	Change
		Parent
Default		

(5-1) Lang

- OSD LANG - To set up the OSD language.
- Sub Title - To set up the subtitle language.
- Audio - To set up the audio language.
- Disc - To set up the disc language.
- Version - To view an information. (main micomdnd., DVD version, s/w version)

(5-2) Display

- TV display - To set up the screen size.
- TV type - To set up the TV type. (NTSC, PAL)
- Angle mark - To turn on/off the angle mark display.
- Screen saver - To turn on/off screen saver.

(5-3) Audio

- Down mix - LT/RT, stereo.
- Dual mono - stereo, L-mono, R-mono, MIX-mono.
- Dynamic - To set up the dynamic range.

(5-4) Parental

- Change - To set up a password for parental level.
- Parent - To set up the parental level control.
- Default - To load the initial factory settings.

7-5 Other function

7-5-1 CDDA

When playback is not started, press the [||▶] button or touch the [▶/||] key.

- (1) Touch the [▶/||] key to pause or resume the playback. Keep touching the [▶/||] key more than a second to stop during the playback.
- (2) Touching the [▶▶] key starts playback from the beginning of the next track.
Touching the [||◀◀] key starts playback from the beginning of the current track. When this key is touched again within about 2seconds, playback starts from the beginning of the previous track. In the case of some discs furnished with PBC function, when PBC is set to "ON", this operation will cause the menu screen to be displayed.
- (3) Touch the [OPTION] key to use three functions.
To cancel the play, touch the key of the function to cancel.
Touch the [BACK] key to return to previous screen.

TRACK REPEAT : Track repeat playback. This operation plays back the selected track recorded on the disc repeatedly.

DISC REPEAT : Disc repeat playback. This operation plays back all tracks recorded on the disc repeatedly.

DISC RANDOM : Disc random playback. This operation plays back all tracks on the disc in no particular order.

7-5-2 MP3 and WMA

- MP3 is the Audio compressed appliance and is classified by the Audio layer 3 MPEG of standards. The compressed appliance is used helpfully by the PC users and also used broadly as a compressed standard. This MP3 makes possible to compress the original audio data to the 1/10 of the initial size with the high quality of the sound.
This means approximately 10 music CDs can be recorded in on CD-R disc and also we can listen to music for a long time without changing CD through CD-RW.
- This DVD Player can not play the disc recorded by the CD-RW. Some CDs can not be used which recorded in CD-R mode.

(1) Cautions for making MP3 disc

① File extension

Always keep the 'MP3' file to have 'MP3' or 'mp3' by using single byte letters. If you are not specifying the extension like this or using another extension, you may not play. If users mix the capital letter and small letter, the normal playing may not be worked.

② Logical format(File System)

Select the "ISO9660 level 1 or level 2" as a software format used in MP3 file of the CD-R disc. The normal playing may not be performed if it recorded by the other format.

The name of the folder and file can be represented in title while MP3 is playing; however, the title is represented by the single byte alphabet and numbers of 31 and 27 to the name of the folder and file. The name may be represented in error if you input more letters and numbers than regulated.

③ Folder structure

The disc which has more than 8 level folders will conflict with the ISO9660 standard and the playing is impossible.

④ The number of the file or folder

Total 255 file and folders are allowed. If the numbers of the file and folder are more than 256, that files may not be played.

Track is played according to the recording order by the user.

- Noise can be made to the encoder type of the software which is using during the record.
- To the damage of the file, the file may not be played or skipped to the next track.
If it is damaged seriously, it will be stopped.

(2) Working method

① Touch the [▶/||] key to pause or resume the playback.

Keep touching the [▶/||] key more than a second to stop during the playback.

Touch the [◀◀] or [▶▶] key to skip the track.

Keep touching the [▶▶] key to play at fast forward, the key [◀◀] to play at fast backward.

Touch the [ID3 TAG] key to display an information(artist, genre, composer, etc) has the selected file.

Touch the [-] or [+] key to display the track list of the previous or next folder.



- ② Touch the [CONTROL] key to select the file or folder.
Touch the [◀] [▶] key to select the folder list or track list
Touch the [▲] [▼] key to select the file in the selected folder
Touch the [ENT] key to select the file
Touch the [BACK] key to return to previous screen
- ③ Touch the [10KEY] key to display the screen selecting the desired track number.
The Key Pad screen appears with the track number input mode. Input the number for the track that you want to play back with [0] to [9] key, then touch the [ENT] key. Touch the [BACK] key to return to previous screen.
- ④ Touch the [OPTION] to use functions.
To cancel the play, touch the function key again.
Touch the [BACK] key to return to the previous screen.

TRACK REPEAT : Track repeat playback.

TRACK SCAN : Track scan playback.

TRACK RANDOM : Track random playback.

FOLDER REPEAT : Folder repeat playback.

FOLDER SCAN : Folder scan playback.

FOLDER RANDOM : Folder random playback.

8. USAGE OF PERIPHERAL DEVICES

8-1 Setting iPod

This unit can be used to control a Connected Apple iPod (iPod Mini, fourth generation, iPod nano, iPod with video). The iPod versions higher than those noted in side may not be playable. This unit will not operate, or may operate improperly with unsupported versions. First, second and third generation iPod cannot be used. When using an iPod, after connecting the iPod to the USB cable, select the iPod mode by touching the [iPod] key on the SOURCE mode screen. Depending on the iPod devices, iPod main screen displays can be different from others. The remote control unit cannot be used to perform scan, repeat or random play. This unit can display the Podcast titles, Artist names, Album titles, Song titles, Genre names, Playlist titles, Composer names registered on the iPod. Whether these functions are available or not depends on the iPod version. The iPod is used with the equalize function turned OFF. Don't connect an iPod to the unit with a headset connected to the iPod. During playback iPod with this unit, iPod operation might become impossible. In that case, please reset iPod. Please confirm the method of resetting iPod with the manual of iPod.

(1) Key operation

- Touch the [iPod] key to switch the iPod mode on the SOURCE screen.
- Touch the [▶/||] key to pause or resume the playback.
- Keep touching the [▶/||] key more than a second to stop during the playback.
- Touch the [◀◀] or [▶▶] key to select the next higher or lower track numbers.
- Keep touching the [◀◀] or [▶▶] key to perform fast-backward or fast-forward.
- Track number can be displayed from 001 to 999 on the iPod mode screen.

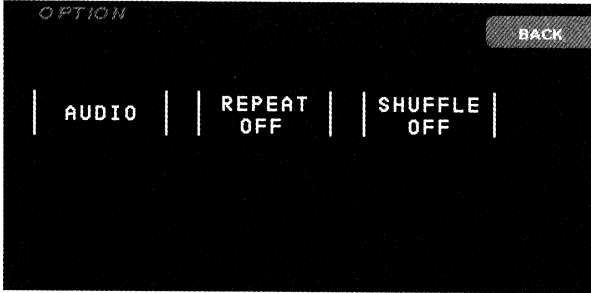


(2) Menu

- Touching the [MENU] button show the list like PODCASTS, PLAYLIST, ARTISTS, ALBUMS, GENRES, SONGS, COMPOSERS, MUSIC, PHOTOS, VIDEOS, EXTRAS etc. Lists are available from the iPod menu screen.
- Touch the [▲] [▼] key to scroll menu lists.
- Touch the [MENU] key, if you want to go back to the previous screen.

(3) Option

- If you touch the [OPTION] key, below screen is displayed. iPod option has three keys that works in toggle.

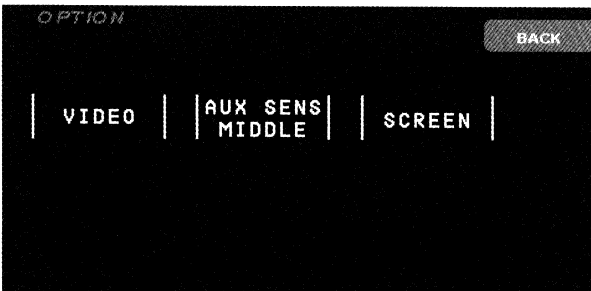


- Each time you touch the first key (AUDIO), You can switch between AUDIO mode and VIDEO mode.
If you want to play the audio mode, select the [AUDIO] key.
If you want to play the video mode, select the [VIDEO] key.
- You can able to select the REPEAT(repeat play), SHUFFLE(random play) function.
 - The [REPEAT] key use to switch the repeat mode, in the order:
→ *REPEAT ALL* → *REPEAT ONE* → *REPEAT off*.
 - The [SHUFFLE] key use to switch the shuffle ON/OFF mode:
 - Touch the [BACK] key, if you want to go back to the previous screen.

(4) Video mode

You can view video data stored in the iPod. But you cannot control and navigate with a CLARION device on iPod video mode. It only allows you to control with the iPod device. To enjoy the video data, you must operate in following order:

- ① Touch the [AUDIO] key works in toggle on the iPod option screen. You can change AUDIO mode to VIDEO mode.
- ② Select your desired video data in the iPod unit.
- ③ VIDEO screen is activated. When you touch the display and touch option key, you can get bellow menu screen.



- Each time you touch the second key (AUX SENS MIDDLE), You can switch among (AUX SENS LOW, AUX SENS MIDDLE, AUX SENS HIGH) to change the AUX audio volume.
 - AUX SENS LOW : Low volume.
 - AUX SENS MIDDLE : Middle volume.
 - AUX SENS HIGH : High volume.
 - Each time you touch the third key (SCREEN), You can switch among (FULL SCREEN, NORMAL SCREEN, CINEMA SCREEN) to change the display size.
- ④ To return to the iPod menu screen, touch the [VIDEO] key on the iPod option screen.

8-2 Setting USB

USB(Universal Serial Bus) means the bus protocol to connect the optional devices. USB memory may be connected and controlled. Main unit supports USB mass storage class devices and plays back MP3, WMA, AAC files.

USB connector is in rear side of the unit.

- Touch the [USB] key on the SOURCE mode screen to display USB mode screen.
- Track number can be displayed from 001 to 999 on the USB mode screen.



- Touch the [FOLDER] figure to view the folder list, then [BACK] letters is displayed.
Touch the [BACK] key to return to the previous screen.
Touch the [-] or [+] key to display the track list of the previous or next folder.
Touch the [▶/||] key to pause or resume the playback.
Touch the [||◀◀] or [▶▶] key to skip the track.
Keep touching the [▶▶] key to play at fast forward, the key [||◀◀] to play at fast backward.
- Touch the [OPTION] key.
 - TRACK REPEAT : Track repeat playback.
 - TRACK SCAN : Track scan playback.
 - TRACK RANDOM : Track random playback.
 - FOLDER REPEAT : Folder repeat playback.
 - FOLDER SCAN : Folder scan playback.
 - FOLDER RANDOM : Folder random playback.

About USB memory

- USB is an acronym for Universal Serial Bus, and refers to an external bus standard supporting data transfer rates of 12 Mbps.
- This unit is compatible with USB 1.1/2.0 with maximum data transfer rates of 12 Mbps.
- USB memory devices that can be played by connecting to the unit's USB cable are limited to those recognized as "USB mass storage class devices"; operation is not guaranteed with all USB memory devices.
- Devices compatible with "USB Mass Storage Class" can be used merely by connecting to the host device, without need for special drivers or application software.
- Consult the manufacturer of your USB memory device for information regarding whether it is supported by "USB Mass Storage Class" standards.
- Audio files playable on this unit are limited to MP3/WMA files. For details, see the section "7-5-2 MP3 and WMA"
- This unit isn't compatible with USB Card-Reader (SD).

9. TROUBLESHOOTING

• General

PROBLEM	CAUSE	SOLUTION
No Power(no sound)	Disconnected fuse	Change the new fuse. If fuse is out again, please consult with the store.
	Wrong Connection	
No button activation Wrong Display	Wrong operation due to the interference from microprocessor	Turn the power off and remove the DCP. Press reset button. Please note that all the memory will be removed if the reset button is pressed.
Remote Controller is not working	Receiver is in the direct rays of the sun	Remote controller is not working if the receiver is in the direct sun rays.
	Out of battery power	Check the batteries.

• DVD Player

PROBLEM	CAUSE	SOLUTION
Unable to insert the disc	Another disk is already in the unit	Eject the disc from the unit
	Foreign elements are in the disc insertion hole	Clean the disc insertion hole
Noise sound and sound skipping	Dirty CD	Clean the CD with the soft fabrics
	CD is damaged (scratched and damaged)	Do not use damaged CD
Decreased sound quality after the power on	Moisture on can effect the performance while parking in the humid area	Dry the unit for 1 hours while the power is on
No video display	Parking brake is released	Check the power brake.
Error display "PARENTAL VIOLATION"	Limited view function	Release the View function or change the level of PARENTAL

• iPod control

Because the noise occurs on the unit, don't connect audio/video to aux-in after connecting the iPod uses the cigar jack's power of your car. Make use of the aux-in and the USB cable.

• About the noise

If portable audio-visual device is connected to this monitor in the state where you connected with the vehicles power supply for charge etc., a noise may occur rarely.

In this case, please use portable audio-visual devices without connecting with a vehicles power supply. Please use it with in the internal battery of devices etc.

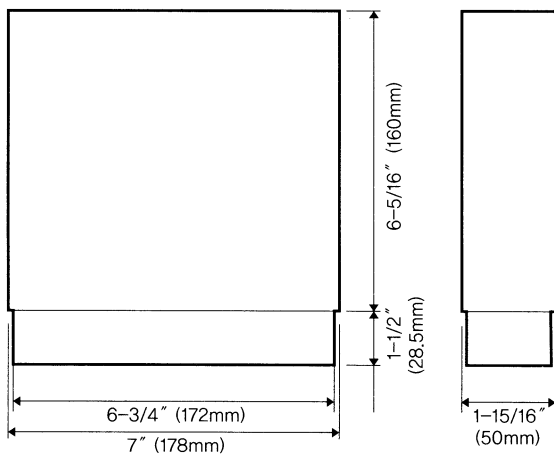
※ *Make use of the iPod that the battery is charged.*

※ *When an iPod is connected to the unit, some iPod may not be charged. In that case, turn off and on the POWER of the unit.*

10. SPECIFICATIONS

FM TUNER	Frequency range	87.9MHz to 107.9MHz
	Quieting sensitivity	20dBf
	Limiting sensitivity	15dBf
	Stereo separation	20dB (1kHz)
	Frequency response	100Hz to 7kHz
AM TUNER	Frequency range	530kHz to 1710kHz
	Usable sensitivity	40dBuV
DVD PLAYER	System	Digital versatile disc system with CDDA capable
	Usable discs	DVD video disc, Compact disc
	Frequency response	17Hz to 20kHz(CD)(+3/-3dB)
	Separation	60dB
	Distortion	0.5%
MP3 / WMA	Sampling rate	MPEG1 44.1kHz/48kHz/32kHz
		MPEG2 22.05kHz/24kHz/16kHz
	Bit rate	MPEG1 32kbps to 320kbps
		MPEG2 8kbps to 160kbps (VBR)
Logical Format	ISO9660 level1, 2 JOLIET or Romeo	
AUDIO AMPLIFIER	Maximum power output	50W x 4ch
	Power output	27W x 4 (DIN 45324, +B = 14V)
	Speaker impedance	4 ohm (4 to 8 ohm)
LCD MONITOR	Screen size	7-inch wide type
		154.0 mm Width x 86.6 mm Height
	Display method	Transmission type TN QVGA TFT LCD
	Drive method	TFT(thin-film transistor) active matrix driving
Pixels	336,960 (1440 x 234)	

GENERAL	Power source voltage	14.4V DC (10.8 to 15.6V allowable)
	Ground	Negative
	Current consumption	4.0A(1W)
	Auto antenna rated current	500mA less
	Dimension of the Main Unit	7" (W) x 2" (H) x 6-5/16" (D)
	Weight of the Main Unit	2.5kg
	Dimension of the Remote Control Unit	2-1/8" (W) x 1-1/8" (H) x 6-1/8" (D)
	Weight of the Remote control Unit	90g (including battery)



Power Output : 18W RMS x 4 Channels at 4Ω and 1% THD+N
Signal to Noise Ratio : 70dBA (reference : 1W into 4Ω)



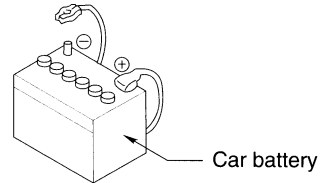
※ Specifications and design are subject to change without notice for further improvement.

11. INSTALLATION AND WIRE CONNECTION

11-1 Cautions On Installation

(1) BEFORE STARTING

This set is exclusively for use in cars with a negative ground 12 V power supply. Read these instructions carefully. Be sure to disconnect the battery " - " terminal before starting. This is to prevent short circuits during installation.



(2) PACKAGE CONTENTS

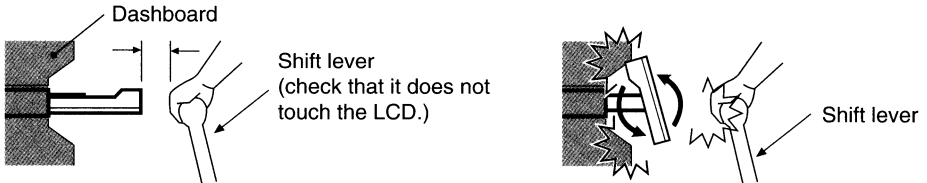
- | | |
|--|---|
| ① Main unit | 1 |
| ② Manuals | |
| • Owner's manual & Installation manual | 1 |
| • Warranty card | 1 |
| ③ Power supply lead (For the main unit) | 1 |
| ④ RCA lead | 1 |
| ⑤ Bag for accessories of the main unit (No. 1) | |
| Flat head screw (M5´8) | 4 |
| Sems hexagonal bolt (M5´8) | 5 |
| Electro tap | 1 |
| Machine screw (M4´3) | 4 |
| ⑥ Bag for accessories of the main unit (No. 2) | |
| Hook plate | 2 |
| Cord clamp | 1 |
| ⑦ Universal mounting bracket | 1 |
| ⑧ Remote control unit | 1 |
| ⑨ Battery (for remote control unit) | 2 |
| ⑩ Outer Escutcheon | 1 |
| ⑪ DCP Case | 1 |

(3) GENERAL CAUTIONS

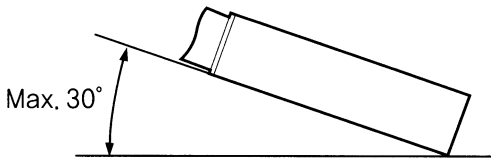
- ① Do not open the case. There are no user serviceable parts inside. If you drop anything into the unit during installation, consult your dealer or an authorized CLARION service
- ② Use a soft, dry cloth to clean the case. Never use a rough cloth, thinner, benzine, or alcohol, etc. For tough dirt, apply a little cold or warm water to a soft cloth and wipe off the dirt gently.

(4) CAUTIONS ON INSTALLATION

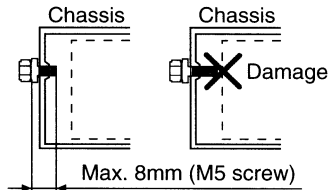
- ① Prepare all articles necessary for installing the main unit before starting.
- ② This model is used with the LCD panel slide forwards (shell loading system). On some types of cars, the LCD panel may touch the dashboard or shift lever, in which case it cannot be installed. Check that the set will not hamper operation of the shift lever before choosing the place of installation.



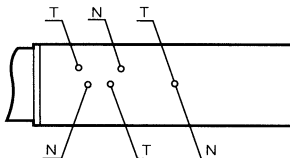
- ③ Install the unit within 30° of the horizontal plane.



- ④ If you have to do any work on the car body, such as drilling holes, consult your car dealer beforehand.
- ⑤ Use the enclosed screws for installation. Using other screws can cause damage.



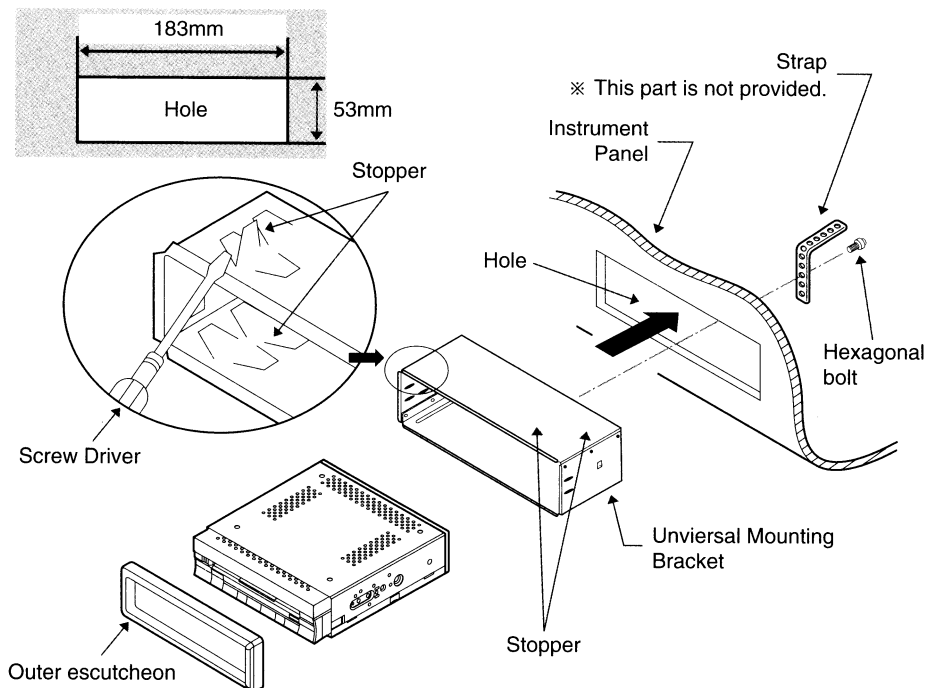
- ⑥ The source unit has mounting screw holes for NISSAN (N marks) and TOYOTA (T marks) vehicles.



11-2 Main Unit Installation (Universal Mount)

- (1) Place the universal mounting bracket into the instrument panel, use a screwdriver to bend each stopper of the universal mounting bracket inward, then secure the stopper.
- (2) Wire as shown in 11-6.
- (3) Insert the main unit into the universal mounting bracket until it locks.
- (4) Mount the outer escutcheon so that all the hooks are locked.

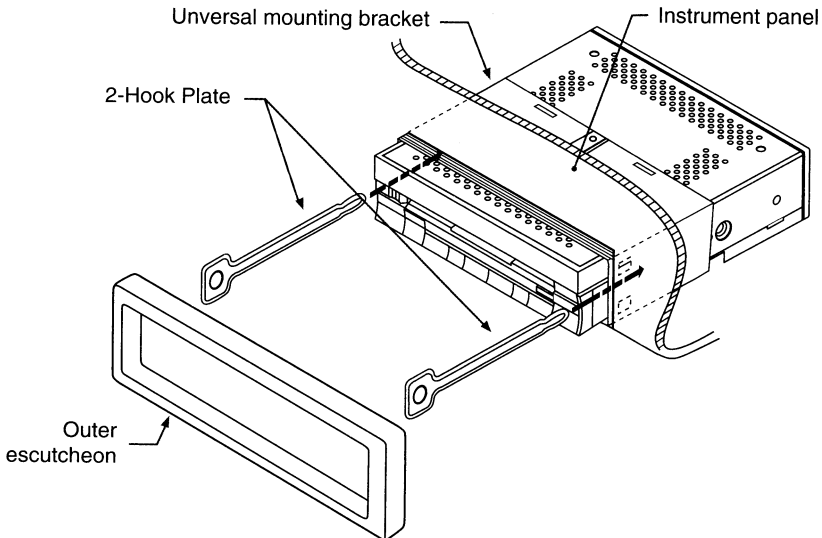
- Console opening dimensions



- ※ Some car models require special mounting kits for proper installation. Consult your Clarion dealer for details.
- ※ Fasten the front stopper securely to prevent the main unit from coming loose.

11-3 Removing The Main Unit

- (1) When the rear of the main unit has been secured with the method shown in the follow figure unfasten the special screw.
- (2) Remove the outer escutcheon.
- (3) Insert the hook plate into the universal mounting bracket, then pull the main unit out by the hook plate. (Insert both the right and left edges of the hook plate.)



※ Keep the hook plate. You cannot remove the main unit without disengaging the hook plate.

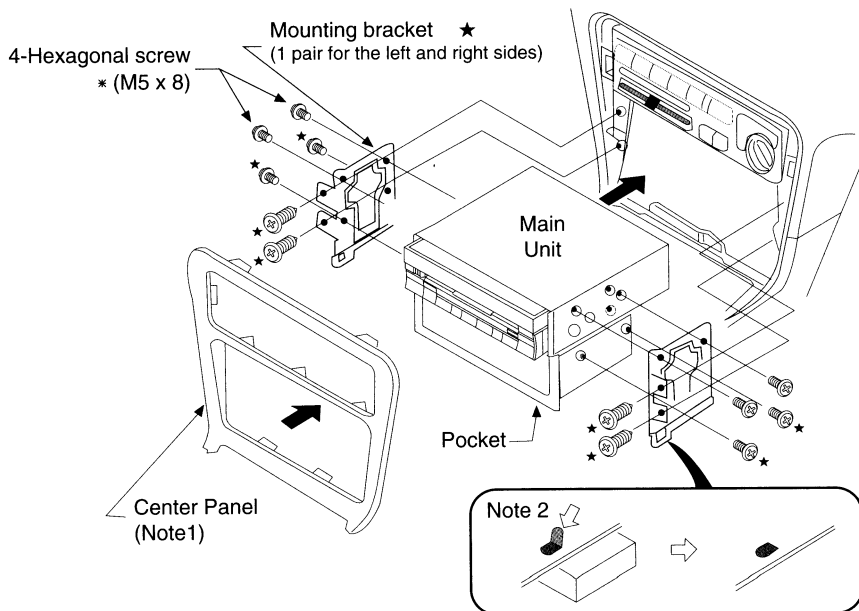
11-4 Main Unit Installation (Fixed Mount) (TOYOTA, NISSAN and other ISO/DIN equipped vehicles)

This unit is designed for fixed installation in the dashboard.

If the vehicle is equipped with a factory-installed radio, install the main unit with the parts and screws marked (*).

If the vehicle is not equipped with a factory-installed radio, obtain an installation kit to install the main unit in the following procedure.

- (1) Bend all of side stoppers with a nipper.
- (2) Secure the mounting brackets to the chassis as shown in the follow figure. Holes are pre-tapped for TOYOTA and NISSAN vehicles; modification, such as drilling new holes, of the mounting brackets may be required for other models.
- (3) Wire as shown in chapter 11-6.
- (4) Secure the unit in the dashboard, and then reassemble the dashboard and the center panel.



※ : The screws with this mark are enclosed in this set.

★ : The parts and screws with this mark are used to install radio or included in the installation kit.

Note 1 : In some cases, the center panel may require some modification (trimming, filling, etc.).

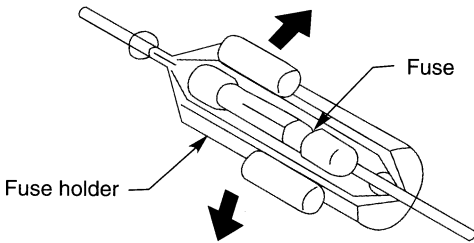
Note 2 : If a hook on the installation bracket interferes with the unit, bend and flatten it with a nipper or a similar tool.

11-5 Cautions On Wiring

Be sure to turn the power off before wiring. Be particularly careful where you route the wires. Keep them well away from the engine, and exhaust pipe, etc. Heat may damage the wires. If the fuse should blow, check to see if the wiring is correct. If it is, replace the fuse with a new one with the same amperage rating as the original.

To replace the fuse, remove the old fuse of the power supply lead and insert the new One.

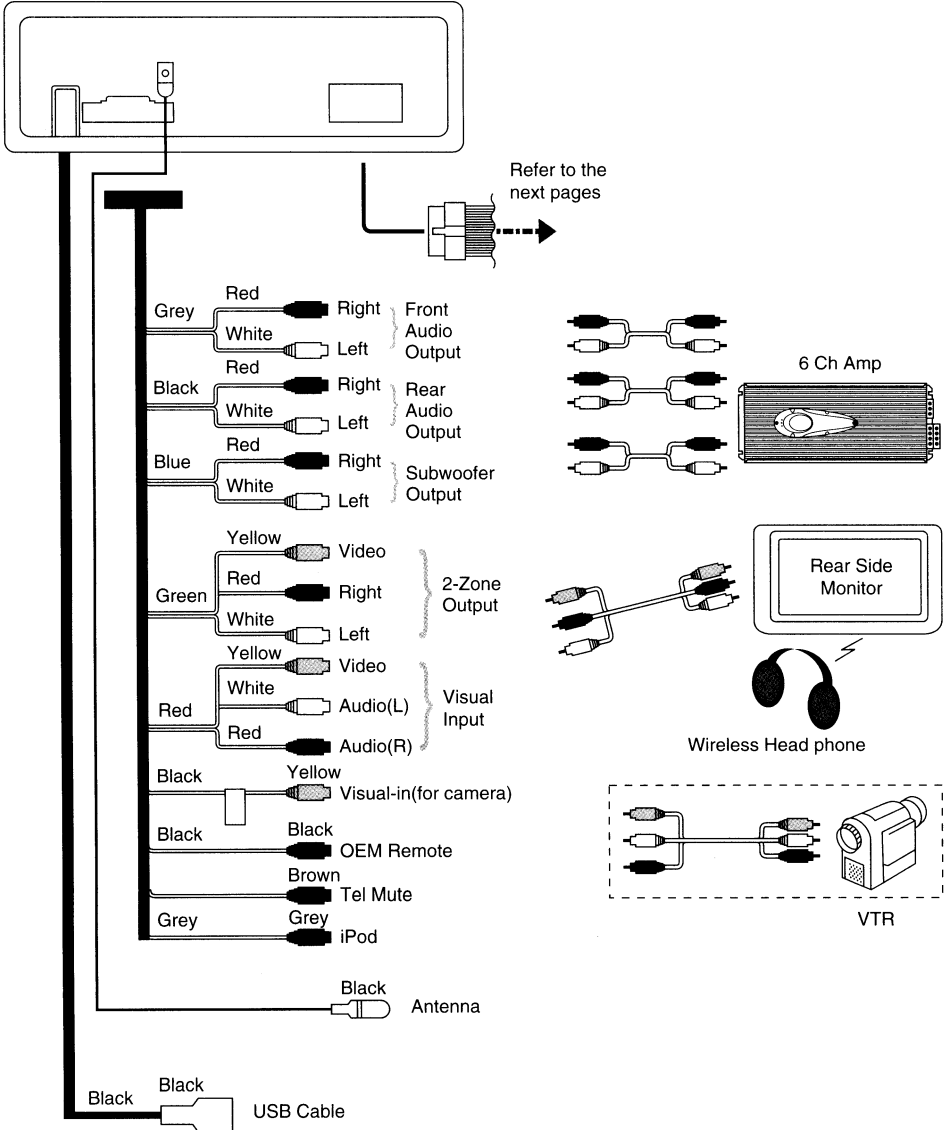
- ※ Power supply lead for the tuner amp unit : 15A FUSE
- ※ Power supply lead for the main unit : 3A FUSE
- ※ There are various types of fuse holder. Do not let the battery side touch other metal parts.
- ※ After the connection, fix the lead by a clamp or insulation tape for protection.



11-6 Electrical Connection

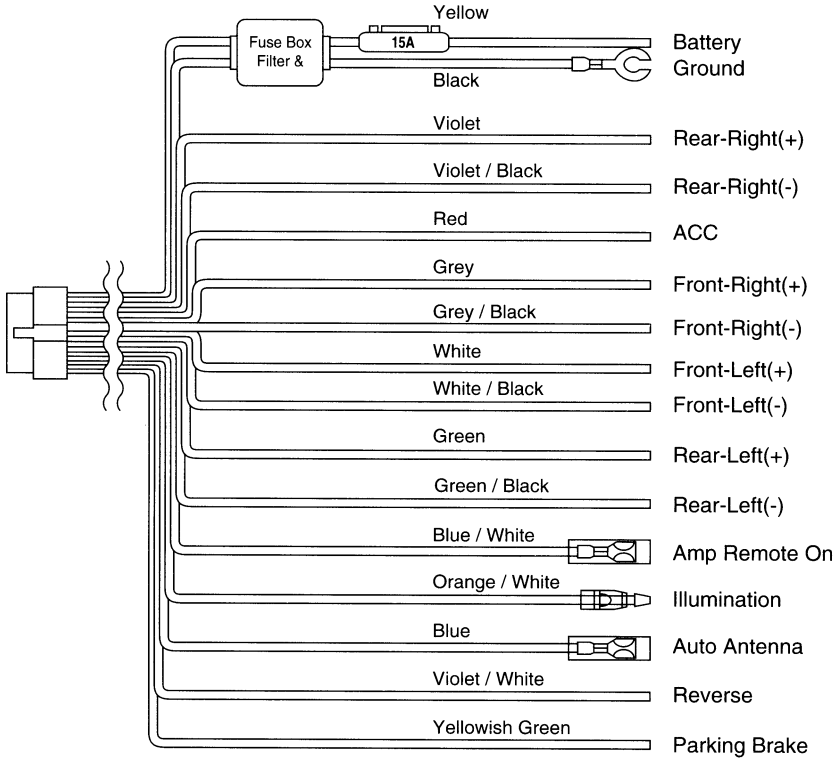
(1) Wire connection

- ※ Disconnect the Negative(-) power cable from the battery before installation.
- ※ RCA pins and connector cables are sold separately.



(2) Power supply lead

To activate "Auto Mute-On when receiving phone call", connect right wire to the dedicated connector in the vehicle



NOTE

When you detach the power supply connector, please pull it out after release the lock part with a minus driver etc.

(3) Connecting the Accessories

① Connection to the external amplifier

The external amplifier can be connected unless the MCP (Multiple Channel Processor) is connected. For detailed information, refer to the instruction manual of the MCP.

② Connection to the CCD camera for vehicle

The CCD camera for vehicle can be connected to the system expansion terminal on the main unit. For detailed information, refer to the instruction sheet or manual for the CCD camera.

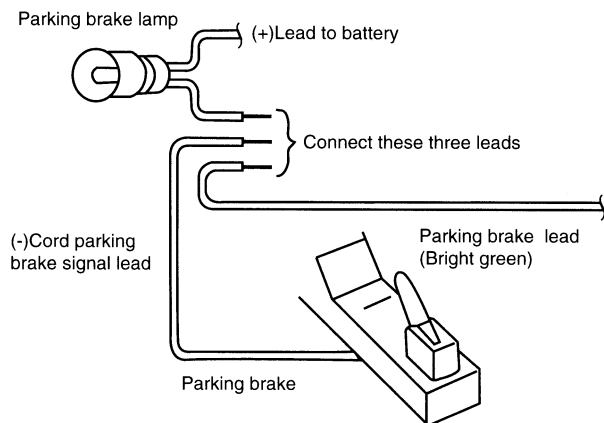
③ If the specified lead of the cellular phone is connected to the phone mute lead of the source unit, the audio mute is available when the cellular telephone is used.

(4) Connecting the parking brake lead

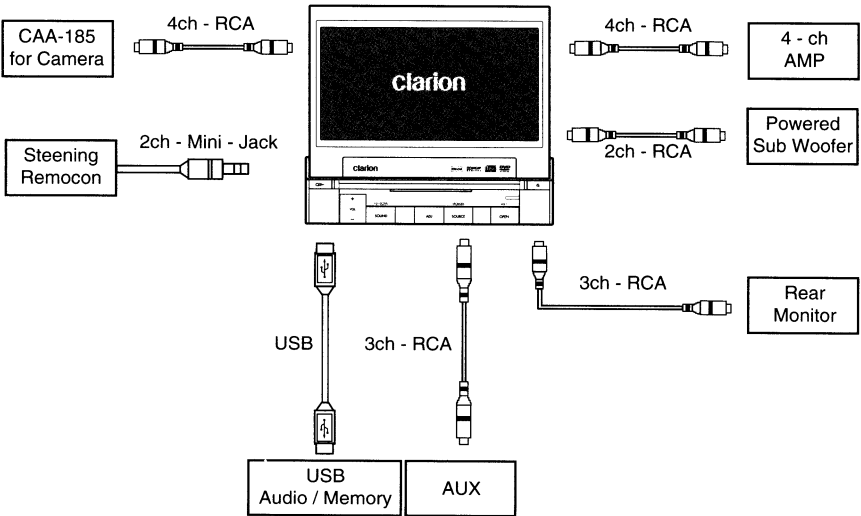
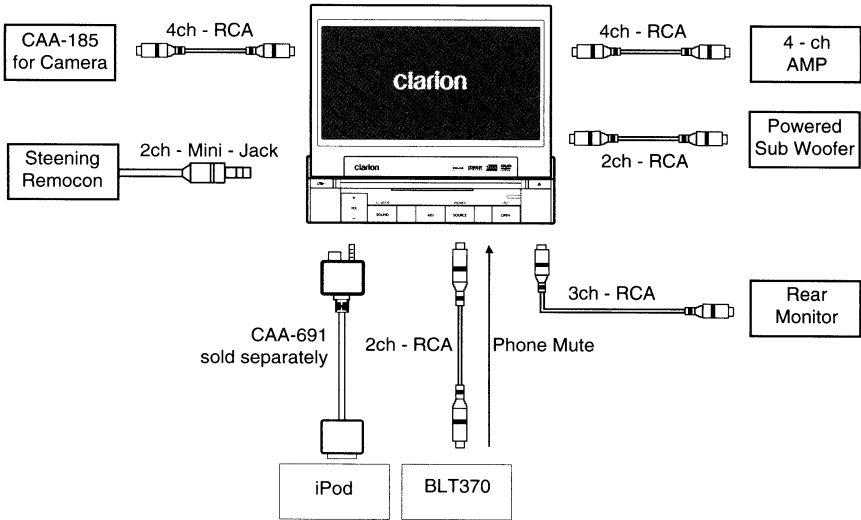
Connect the lead to parking brake lamp earth in the meter panel.

※ Connecting the parking brake lead to lamp earth allows you to watch VTR/DVD video when the parking brake is engaged.

※ When the parking brake lead is not connected, the monitor will stay off.



(5) Sample System



Clarion Co., Ltd.

All Rights Reserved. Copyright © 2007: Clarion Co., Ltd.
Printed in Korea / Impreso en Corea / Imprimé en Corée

clarion**GARANTIE LIMITÉE DE CLARION 2007**

Pour le Canada et les États-Unis seulement

À moins d'une contre-indication, les produits Clarion achetés chez un revendeur Clarion autorisé sont garantis contre tous les défauts de matériaux et de mise en oeuvre pour une période d'un (1) an à compter de la date d'achat originelle. Les produits Clarion notés ci-dessous (**) sont garantis contre tous les défauts de matériaux et de mise en oeuvre pour une période de deux (2) ans à compter de la date d'achat originelle, lorsqu'achetés chez un revendeur Clarion autorisé ET lorsque l'installation du produit est effectuée par le revendeur.

** DRZ9255 DXZ775USB DXZ675USB DXZ575USB DFZ675MC DPX11500 DPX1800 DPX2250

Tous les câbles, fils et autres accessoires Clarion achetés chez un revendeur autorisé Clarion sont garantis contre tous les défauts de matériaux et de mise en oeuvre pour une période de 90 jours.

TOUS LES PRODUITS CLARION ACHETÉS CHEZ UN REVENDEUR NON AUTORISÉ PAR CLARION SONT SOUMIS AUX RESTRICTIONS DE GARANTIE SUPPLÉMENTAIRES DÉCRITES CI-DESSOUS.

Les conditions de cette garantie limitée et l'étendue de la responsabilité de Clarion Corporation of America (« Clarion ») d'après cette garantie limitée sont les suivantes :

1. **UNE PREUVE DE LA DATE D'ACHAT EST REQUISE POUR TOUTE RÉPARATION SOUS GARANTIE DE CE PRODUIT. DANS LE CAS D'UN PRODUIT LISTÉ CI-DESSUS, BÉNÉFICIAIRE DE LA GARANTIE LIMITÉE DE DEUX (2) ANS, UNE PREUVE DE LA DATE D'ACHAT ET UNE PREUVE QUE L'INSTALLATION A ÉTÉ EFFECTUÉE PAR UN REVENDEUR AUTORISÉ SONT REQUISES. TOUTE L'INFORMATION À PROPOS DES CENTRES DE SERVICES SOUS GARANTIE AUTORISÉS DE CLARION PEUT ÊTRE OBTENUE EN COMMUNIQUANT AUX ADRESSES LISTÉES CI-DESSOUS.**
2. Cette garantie limitée sera annulée pour tout dommage encouru lors d'une réparation effectuée par du personnel non autorisé par un centre de services sous garantie Clarion.
3. Cette garantie limitée ne s'applique pas aux produits négligés, accidentés ou ayant subi un usage incorrect, ou dont le numéro de série a été modifié, obstrué ou effacé, ou qui ont été raccordés, installés, ajustés ou réparés autrement qu'en suivant les instructions fournies par Clarion.
4. Cette garantie limitée ne couvre pas l'interférence électrostatique produite ou non par le véhicule, ni le nettoyage ou le réglage de la tête de lecture ou des éléments laser, ni les coûts de manutention pour le retrait ou la réinstallation du lecteur pour réparation.
5. La seule responsabilité de Clarion, d'après cette garantie limitée, est restreinte à la réparation du produit ou au remplacement du produit, à la discrétion absolue de Clarion.
6. Le produit doit être envoyé à Clarion dans son emballage original ou dans un emballage équivalent. Le colis doit être entièrement assuré et tous les frais de transport doivent être prépayés.
Clarion n'assumera aucune responsabilité en cas de perte ou de dommages encourus lors du transport.
7. **LES PRODUITS CLARION ACHETÉS CHEZ UN REVENDEUR AUTRE QU'UN REVENDEUR CLARION AUTORISÉ, INCLUANT TOUTS LES ACHATS EFFECTUÉS SUR INTERNET CHEZ UN REVENDEUR NON AUTORISÉ PAR CLARION, NE SONT PAS COUVERTS LES GARANTIES LIMITÉES DE CLARION ET CE, EN ACCORD AVEC LES LIMITES PRESCRITES PAR LA LOI. DANS LE CAS OÙ LES LOIS APPLICABLES NE PERMETTENT PAS L'ÉLIMINATION DES GARANTIES SOUS CES CONDITIONS, LA PÉRIODE DE GARANTIE LIMITÉE QUI S'APPLIQUE AU PRODUIT SERA DE QUINZE (15) JOURS À PARTIR DE LA DATE D'ACHAT ORIGINELLE.**
8. **AUCUNE GARANTIE IMPLICITE NE POURRA S'ÉTENDRE AU-DELÀ DE LA PÉRIODE DE GARANTIE DÉCRITE CI-DESSUS ET CE, EN ACCORD AVEC LES LIMITES PRESCRITES PAR LA LOI. CLARION NE POURRA EN AUCUN CAS ÊTRE TENUE RESPONSABLE DES PERTES OU DOMMAGES DIRECTS OU INDIRECTS ENCOURUS PAR L'USAGE DU PRODUIT OU L'IMPOSSIBILITÉ D'UTILISER LE PRODUIT. PUISQUE CERTAINS ÉTATS NE PERMETTENT PAS DE LIMITER LA DURÉE DES GARANTIES IMPLICITES, OU DE LIMITER LA RESPONSABILITÉ EN CAS DE DOMMAGES DIRECTS OU INDIRECTS, CES LIMITATIONS OU EXCLUSIONS PEUVENT NE PAS S'APPLIQUER À VOUS.**
9. **CETTE GARANTIE LIMITÉE VOUS OCTROIE DES DROITS LÉGAUX PRÉCIS. VOUS POUVEZ POSSÉDER DES DROITS SUPPLÉMENTAIRES SELON VOTRE LIEU DE RÉSIDENCE.**
10. Les lois de l'État de la Californie contrôlent totalement cette garantie limitée, son interprétation et sa mise en exécution.
11. Si vous éprouvez des problèmes de performance du produit pendant la période garantie, veuillez communiquer avec Clarion ou visitez notre site Web à l'adresse ci-dessous afin d'obtenir une liste des centres de service autorisés Clarion de votre région. N'hésitez pas à communiquer avec les Centres de service Clarion, aux adresses ci-dessous, afin d'obtenir une résolution de tout problème relié aux produits Clarion.

Aux États-Unis:
Clarion Corporation of America
Attn: Customer Service Manager
6200 Gateway Drive
Cypress, CA. 90630
1-800-GO-CLARION
www.clarion.com

Au Canada :
Clarion Canada Inc.
Centre de services sous garantie
2239 Winston Park Drive
Oakville, Ontario L6H 5R1
(905) 829-4600
www.clarioncanada.com

clarion®

CLARION 2007 LIMITED WARRANTY

For USA and Canada only

Except as noted, Clarion products purchased from an authorized Clarion dealer are warranted against all defects in materials and workmanship for a period of one (1) year from the date of original purchase.

The following Clarion products noted below ** are warranted against all defects in materials and workmanship for a two (2) year period from the date of original purchase when purchased from **AND** installed by an authorized Clarion dealer.

** DRZ9255 DXZ775USB DXZ675USB DXZ575USB DFZ675MC DPX11500 DPX1800 DPX2250

All Clarion cables, wires and other accessories if purchased from an authorized Clarion dealer are warranted against all defects in materials and workmanship for ninety (90) days from the date of original purchase.

ALL PURCHASES OF CLARION PRODUCTS FROM NON-AUTHORIZED CLARION DEALERS ARE SUBJECT TO FURTHER WARRANTY RESTRICTIONS AS DESCRIBED BELOW.

The conditions of this Limited Warranty and the extent of responsibility of Clarion Corporation of America ("Clarion") under this Limited Warranty are as follows:

1. **PROOF OF DATE OF PURCHASE FROM AN AUTHORIZED CLARION DEALER WILL BE REQUIRED FOR WARRANTY SERVICE OF THIS PRODUCT. IN THE CASE OF THE TWO (2) YEAR LIMITED WARRANTY FOR THE CLARION PRODUCTS NOTED ABOVE, PROOF OF DATE OF PURCHASE AND PROOF OF INSTALLATION BY AN AUTHORIZED CLARION DEALER IS REQUIRED. INFORMATION ABOUT CLARION AUTHORIZED WARRANTY SERVICE CENTERS MAY BE OBTAINED BY CONTACTING CLARION AT THE ADDRESS LISTED BELOW.**
2. This Limited Warranty will become void if service performed by anyone other than an approved Clarion Warranty Service Center results in damage to the products.
3. This Limited Warranty does not apply to any product which has been subject to misuse, neglect or accident, or which has had the serial number altered, defaced or removed, or which has been connected, installed, adjusted or repaired, other than in accordance with the instructions furnished by Clarion.
4. This Limited Warranty does not cover car static or other electrical interferences, tape head or laser pick-up cleaning or adjustments, or labor costs for the removal or reinstallation of the unit for repair.
5. The sole responsibility of Clarion under this Limited Warranty shall be limited to the repair of the products or replacement of the product, at the sole discretion of Clarion.
6. Product must be shipped in its original carton or equivalent carton, fully insured, with shipping charges prepaid. Clarion will not assume any responsibility for any loss or damage incurred in shipping.
7. **CLARION PRODUCTS PURCHASED FROM A SOURCE OTHER THAN AN AUTHORIZED CLARION DEALER, INCLUDING ANY AND ALL PURCHASES VIA THE INTERNET FROM A NON INTERNET AUTHORIZED CLARION DEALER, SHALL NOT BE COVERED BY ANY CLARION LIMITED WARRANTY TO THE EXTENT ALLOWED BY APPLICABLE LAW. IN THE EVENT AND TO THE EXTENT APPLICABLE LAW PROHIBITS ELIMINATION OF WARRANTIES UNDER THESE CIRCUMSTANCES, THE APPLICABLE LIMITED WARRANTY PERIOD SHALL BE DEEMED TO BE FIFTEEN (15) DAYS FROM THE DATE OF ORIGINAL PURCHASE.**
8. **ALL IMPLIED WARRANTIES EXCEPT TO THE EXTENT PROHIBITED BY APPLICABLE LAW SHALL HAVE NO GREATER DURATION THAN THE WARRANTY PERIOD SET FORTH ABOVE. UNDER NO CIRCUMSTANCES SHALL CLARION BE LIABLE FOR ANY LOSS OR DAMAGE, DIRECT OR CONSEQUENTIAL, ARISING OUT OF THE USE OR INABILITY TO USE THE PRODUCT. BECAUSE SOME STATES DO NOT ALLOW LIMITATIONS ON HOW LONG AN IMPLIED WARRANTY LASTS OR EXCLUSIONS OR LIMITATIONS OF INCIDENTAL OR CONSEQUENTIAL DAMAGES, THE ABOVE LIMITATIONS OR EXCLUSIONS MAY NOT APPLY TO YOU.**
9. **THIS LIMITED WARRANTY GIVES YOU SPECIFIC LEGAL RIGHTS, AND YOU MAY ALSO HAVE OTHER RIGHTS WHICH VARY FROM STATE TO STATE.**
10. The laws of the State of California shall govern and control this limited warranty, its interpretation and enforcement.
11. Should you have any difficulties with the performance of this product during the warranty period, please call Clarion or visit our web site for a listing of Authorized Warranty Service Centers in your area. You may also contact the Clarion Customer Service at the address listed below for any service help you may need with Clarion products.

In USA:
Clarion Corporation of America
Attn:Customer Service Manager
6200 Gateway Drive
Cypress, CA. 90630
1-800-GO-CLARION
www.clarion.com

In Canada :
Clarion Canada Inc.
Warranty Service Center
2239 Winston Park Drive
Oakville, Ontario L6H 5R1
(905) 829-4600
www.clarioncanada.com